



SWITCH YOUR KITCHEN
UPSIDE DOWN

PMF

 elica
aria nuova

BUILT-IN







ERA S

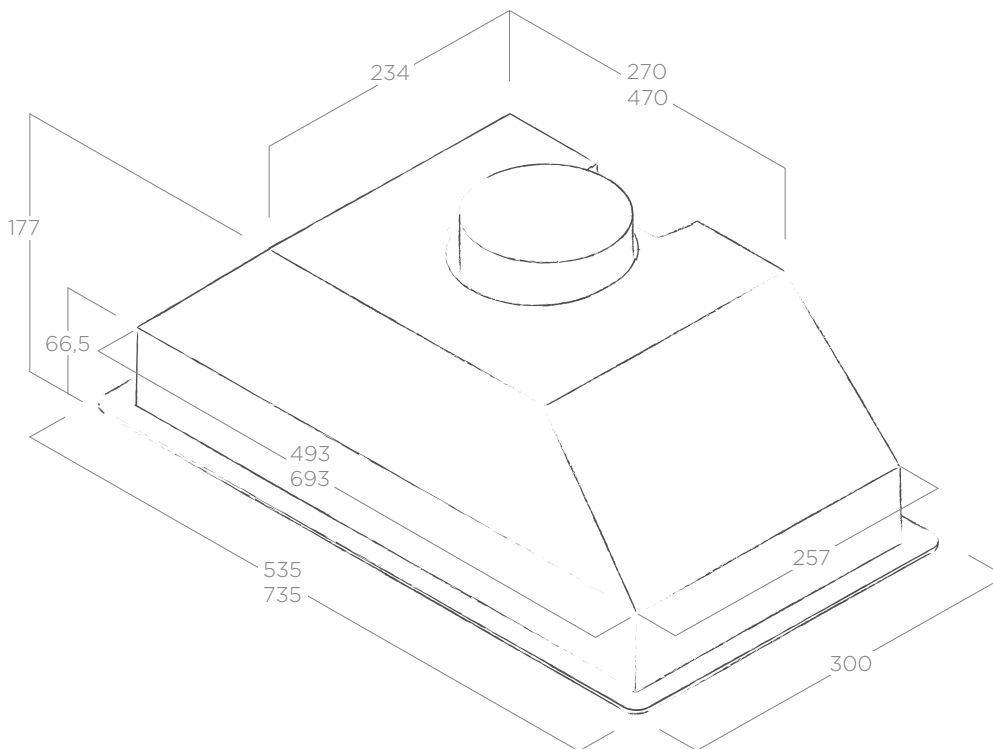
ELICA DESIGN CENTER



SMART
INSTALLATION



ENERGY
CLASS



CM 60



CM 65

TEHNIČNI PODATKI TECHNICAL FEATURES

Velikost Size	60 - 80 cm
Izvedba Version	Odzračevalna Duct-out
Videz Finish	Nerjavno jeklo Stainless steel

DODATKI ACCESSORIES

Ogleni filter Charcoal Filter	CFC0141571
-------------------------------	------------

OSVETLITEV LIGHTING

Tipi Type	LED 3 W
Intenzivna moč Intensity	73 LUX
Temperature Temperature	2700 K

OBLIKA PERFORMANCE

Upravljanje Controls	3 Hitrosti vrtljiv gumb 3S Rotative
Maksimalni pretok zraka Max airflow	420 m ³ /h
Raven hrupa Noise level	68 db(A)
Popolna absorpcija Total absorption	121 W
Izhod Duct size	120 mm
Razred energetske učinkovitosti Energy class	B (A ⁺ /E)

MODELI MODELS

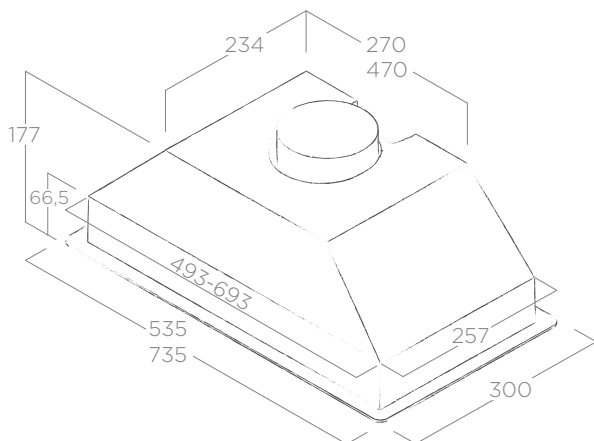
ERA S IX/A/60	PRF0142886
ERA S IX/A/80	PRF0142744

Z aluminijastim mazalnim filtrom Grease aluminium filter included



TEHNIČNI PODATKI TECHNICAL FEATURES

Velikost Size	60 - 80 cm
Izvedba Version	Odzračevalna Duct-out
Videz Finish	Nerjavno jeklo, Bela Stainless steel, white



OSVETLITEV LIGHTING

Tipi Type	LED 3 W
Intenzivna moč Intensity	73 LUX
Temperature Temperature	2700 K

OBLIKA PERFORMANCE

Upravljanje Controls	Push Button 3V 3S Push Button
Maksimalni pretok zraka Max airflow	365 m ³ /h
Raven hrupa Noise level	66 db(A)
Popolna absorpcija Total absorption	146 W
Izhod Duct size	120 mm
Razred energetske učinkovitosti Energy class	D (A ⁺⁺ /E)

Z aluminijastim mazalnim filtrom Grease aluminium filter included

DODATKI ACCESSORIES

Ogleni filter Charcoal Filter	CFC0141571
-------------------------------	------------

MODELI MODELS

ERA C WH/A/60	PRF0142716
ERA C WH/A/80	PRF0142728
ERA C IX/A/60	PRF0142723
ERA C IX/A/80	PRF0142741





TEHNIČNI PODATKI TECHNICAL FEATURES

Velikost Size	60 - 80 cm
Izvedba Version	Odzračevalna Duct-out
Videz Finish	Srebrna Silver

OSVETLITEV LIGHTING

Tipi Type	LED 3 W
Intenzivna moč Intensity	73 LUX
Temperature Temperature	2700 K

OBLIKA PERFORMANCE

Upravljanje Controls	3 Hit, drsno stikalo 3S Slider
Maksimalni pretok zraka Max airflow	220 m ³ /h
Raven hrupa Noise level	54 db(A)
Popolna absorpcija Total absorption	90 W
Izhod Duct size	120 mm
Razred energetske učinkovitosti Energy class	C (A ⁺⁺ /E)

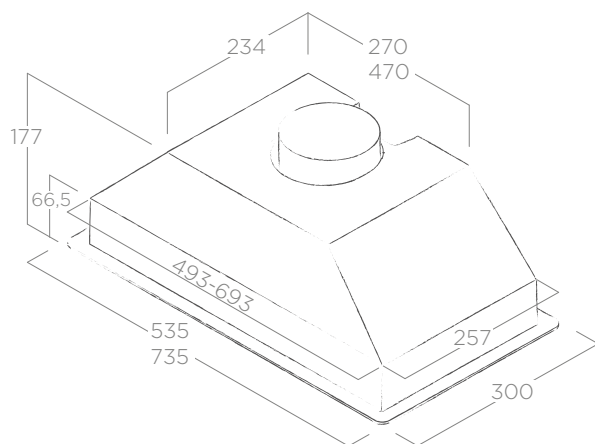
Z aluminijastim mazalnim filtrom Grease aluminium filter included

DODATKI ACCESSORIES

Ogleni filter Charcoal Filter	CFC0141571
-------------------------------	------------

MODELI MODELS

ERA GR/A/60	PRF0142633
ERA GR/A/80	PRF0142701



BOX IN

ELICA DESIGN CENTER

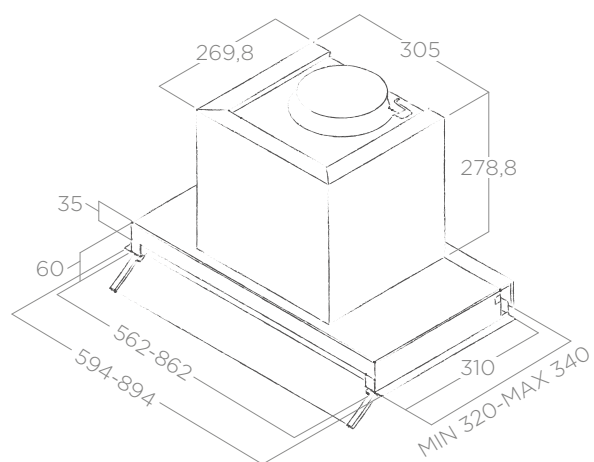


TEHNIČNI PODATKI TECHNICAL FEATURES

Velikost Size	60 - 90 cm
Izvedba Version	Odzračevalna Duct-out
Videz Finish	Nerjavno jeklo Stainless steel

OSVETLITEV LIGHTING

Tipi Type	LED 2 x 2,5 W
Intenzivna moč Intensity	145 LUX
Temperature Temperature	3500 K



OBLIKA PERFORMANCE

Upravljanje Controls	3 Hitrosti vrtljiv gumb 3S Rotative
Maksimalni pretok zraka Max airflow	370 m ³ /h
Raven hrupa Noise level	67 db(A)
Popolna absorpcija Total absorption	95 W
Izhod Duct size	150 mm
Razred energetske učinkovitosti Energy class	D (A ⁺⁺ /E)

Z aluminijastim mazalnim filtrom Grease aluminium filter included

DODATKI ACCESSORIES

Ogleni filter Charcoal Filter	CFC0141497
Komplet dimnik H12 Chimney Kit H12	KIT0091876
Komplet dimnik teleskopski H18+H18 Telescopic Chimney Kit H18+H18	KIT0141458

MODELI MODELS

BOXIN IX/A/60	PRF0097835B
BOXIN IX/A/90	PRF0097839B



ELIBLOC HT

ELICA DESIGN CENTER

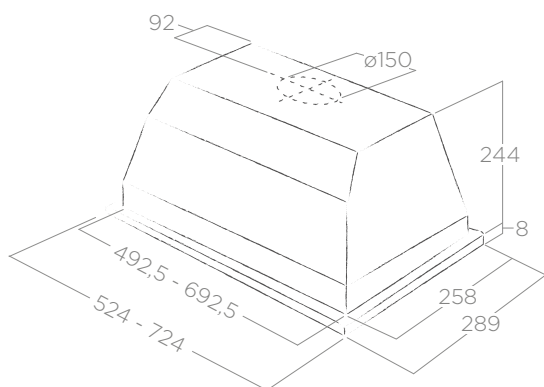


TEHNIČNI PODATKI TECHNICAL FEATURES

Velikost Size	60 - 80 cm
Izvedba Version	Odzračevalna Duct-out
Videz Finish	Srebrna Silver

OSVETLITEV LIGHTING

Tipi Type	LED 2 x 5 W
Intenzivna moč Intensity	281 LUX
Temperature Temperature	3000 K



OBLIKA PERFORMANCE

Upravljanje Controls	4 Hit. drsno stikalo 4s Slider
Maksimalni pretok zraka Max airflow	645 m ³ /h
Raven hrupa Noise level	71 db(A)
Popolna absorpcija Total absorption	210 W
Izhod Duct size	150 mm
Razred energetske učinkovitosti Energy class	C (A++/E)
Z aluminijastim mazalnim filtrom Grease aluminium filter included	

DODATKI ACCESSORIES

Ogleni filter Charcoal Filter	CFC0140122
-------------------------------	------------

MODELI MODELS

ELIBLOC HT GR A/60	1768336A
ELIBLOC HT GR/A/80	17614580A



ELITE 35

ELICA DESIGN CENTER

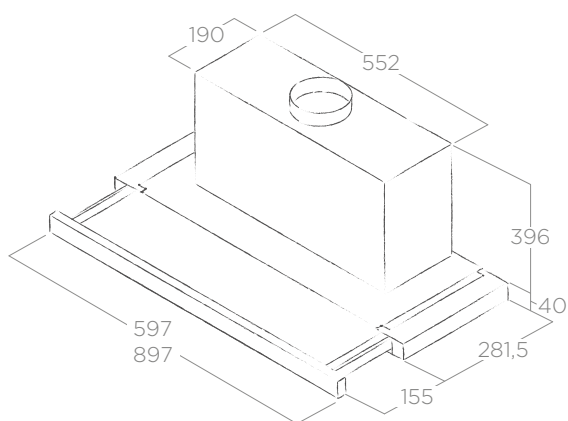


TEHNIČNI PODATKI TECHNICAL FEATURES

Velikost Size	60 - 90 cm
Izvedba Version	Odzračevalna Duct-out
Videz Finish	Srebrna + Nerjavno jeklo Silver + stainless steel

OSVETLITEV LIGHTING

Tipi Type	LED 2 x 3 W
Intenzivna moč Intensity	54 LUX
Temperature Temperature	2700 K



OBLIKA PERFORMANCE

Upravljanje Controls	3 Hitrosti + B na dotik 3S+B Touch Control
Pretok zraka Booster airflow	645 m ³ /h
Raven hrupa Noise level	63 db(A)
Popolna absorpcija Total absorption	206 W
Izhod Duct size	150 mm
Razred energetske učinkovitosti Energy class	A (A ⁺⁺ /E)
Z aluminijastim mazalnim filtrom Grease aluminium filter included	

DODATKI ACCESSORIES

Ogleni filter Charcoal Filter	CFC0140075
-------------------------------	------------

MODELI MODELS

ELITE 35 GRIX/A/60	PRF0139077
ELITE 35 GRIX/A/90	PRF0139069



ELITE 26

ELICA DESIGN CENTER



SMART
INSTALLATION



CM 50



CM 65



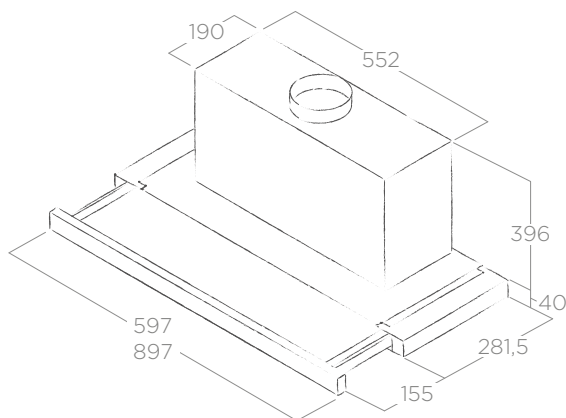
ENERGY
CLASS

TEHNIČNI PODATKI TECHNICAL FEATURES

Velikost Size	60 - 90 cm
Izvedba Version	Odzračevalna Duct-out
Videz Finish	Nerjavno jeklo, Nerjavno jeklo + Črno steklo Stainless steel, Stainless steel + black glass

OSVETLITEV LIGHTING

Tipi Type	LED 2 x 2,5 W
Intenzivna moč Intensity	49 LUX
Temperature Temperature	3500 K



OBLIKA PERFORMANCE

Upravljanje Controls	3 Hitrosti + B na dotik 3S+B Touch Control	PB * Pulsantiera Mecc. 3V+I 3S+B Push button
Pretok zraka Booster airflow	581 m ³ /h	581 m ³ /h
Raven hrupa Noise level	61 db(A)	61 db(A)
Popolna absorpcija Total absorption	180 W	180 W
Izhod Duct size	150 mm	150 mm
Razred energetske učinkovitosti Energy class	C (A**/E)	C (A**/E)

Z aluminijastim mazalnim filtrom Grease aluminium filter included

DODATKI ACCESSORIES

Ogleni filter Charcoal Filter	CFC0140343
-------------------------------	------------

MODELI MODELS

ELITE26 IX/A/60	PRF0038809B
ELITE26 IX/A/90	PRF0038812B
ELITE 26 IX/A/60/VT	PRF0094051B
ELITE 26 IX/A/90/VT	PRF0094215B
ELITE 26 PB IX/A/60 *	PRF0126077B



ELITE 14

ELICA DESIGN CENTER

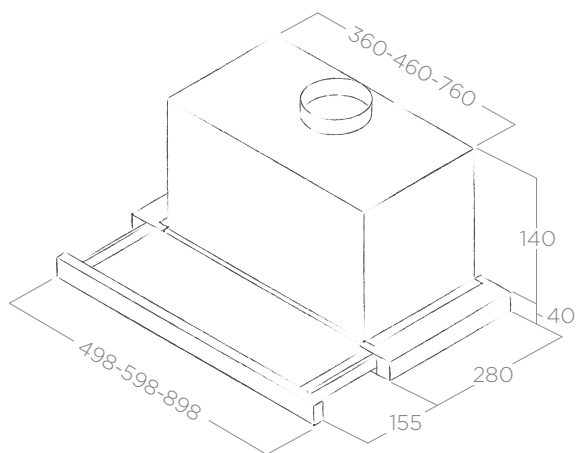


TEHNIČNI PODATKI TECHNICAL FEATURES

Velikost Size	50 - 60 - 90 cm
Izvedba Version	Odzračevalna Duct-out
Videz Finish	Bela, Črna, Srebrna + Nerjavno jeklo White, Black, Silver + stainless steel

OSVETLITEV LIGHTING

Tipi Type	LED 2 x 3 W
Intenzivna moč Intensity	78 LUX
Temperature Temperature	2700 K



OBLIKA PERFORMANCE

	LUX	PLUS
Upravljanje Controls	3 Hitrosti meh. Gumbi 3s Mech.Push Button	3 Hitrosti meh. Gumbi 3s Mech.Push Button
Maksimalni pretok zraka Max airflow	304 m ³ /h	400 m ³ /h
Raven hrupa Noise level	62 db(A)	70 db(A)
Popolna absorpcija Total absorption	121 W	121 W
Izhod Duct size	120 mm	120 mm
Razred energetske učinkovitosti Energy class	D (A**/E)	C (A**/E)

Z aluminijastim mazalnim filtrom Grease aluminium filter included

DODATKI ACCESSORIES

Ogleni filter Charcoal Filter	CFC0141571
-------------------------------	------------

MODELI MODELS

ELITE 14 LUX GRIX/A/50	PRF0037987B
ELITE 14 LUX GRVT/A/60	PRF0098874B
ELITE 14 LUX GRVT/A/90	PRF0098879B
ELITE 14 LUX GRIX/A/60	PRF0037989B
ELITE 14 LUX GRIX/A/90	PRF0037992B
ELITE 14 LUX WH/A/50	PRF0037988C
ELITE 14 LUX WH/A/60	PRF0037990B
ELITE 14 LUX BL/A/60	PRF0037991B
ELITE 14 LUX BL/A/50	PRF0081870B
ELITE 14 PLUS GRIX/A/60	PRF0126053





TEHNIČNI PODATKI TECHNICAL FEATURES

Velikost Size	56 - 86 cm
Izvedba Version	Odzračevalna Duct-out
Videz Finish	Srebrna Silver

OSVETLITEV LIGHTING

Tipi Type	LED 2 x 2,5 W
Intenzivna moč Intensity	145 LUX
Temperature Temperature	4000 K

OBLIKA PERFORMANCE

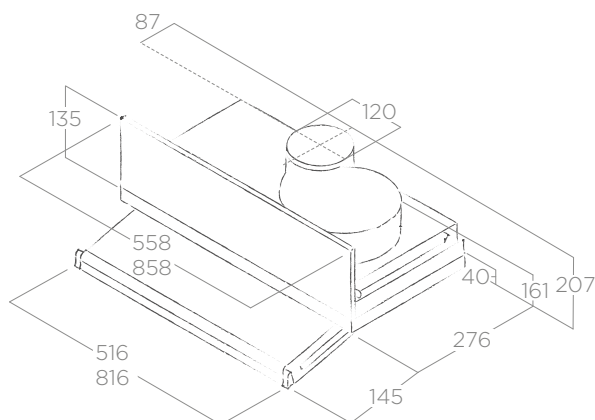
Upravljanje Controls	3 Hit, drsno stikalo 3s Slider
Maksimalni pretok zraka Max airflow	255 m ³ /h
Raven hrupa Noise level	66 db(A)
Popolna absorpcija Total absorption	120 W
Izhod Duct size	120 mm
Razred energetske učinkovitosti Energy class	D (A ⁺⁺ /E)
Z aluminijastim mazalnim filtrom Grease aluminium filter included	

DODATKI ACCESSORIES

Ogleni filter Charcoal Filter	CFC0141563
-------------------------------	------------

MODELI MODELS

ClAK LUX GR/A/L/56	PRF0121068B
ClAK LUX GR/A/L/86	PRF0121107B



CONCORDE

ELICA DESIGN CENTER



TEHNIČNI PODATKI TECHNICAL FEATURES

Velikost Size	60 cm
Izvedba Version	Obtočna izvedba Recycling
Videz Finish	Nerjavno jeklo, Bela Stainless steel, white

OSVETLITEV LIGHTING

Tipi Type	LED 1 x 3 W
Intenzivna moč Intensity	60 LUX
Temperature Temperature	2700 K

OBLIKA PERFORMANCE

Upravljanje Controls	3 Hit, drsno stikalo 3S Slider
Maksimalni pretok zraka Max airflow	250 m ³ /h
Raven hrupa Noise level	64 db(A)
Popolna absorpcija Total absorption	118 W
Izhod Duct size	120 mm
Razred energetske učinkovitosti Energy class	D (A ⁺⁺ /E)

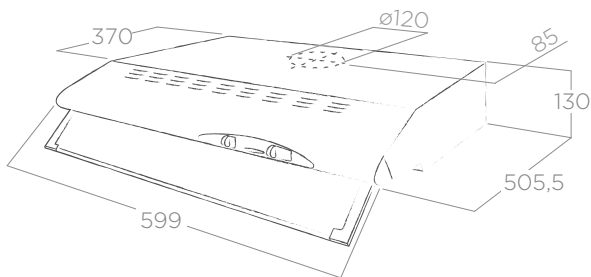
Z aluminijastim mazalnim filtrom Grease aluminium filter included
Ogleni filter vključen Charcoal filter included

DODATKI ACCESSORIES

Ogleni filter Charcoal Filter	CFC0140390
-------------------------------	------------

MODELI MODELS

CONCORDE SE WH/F/60	1350989B
CONCORDE SE IX/F/60	1351187B



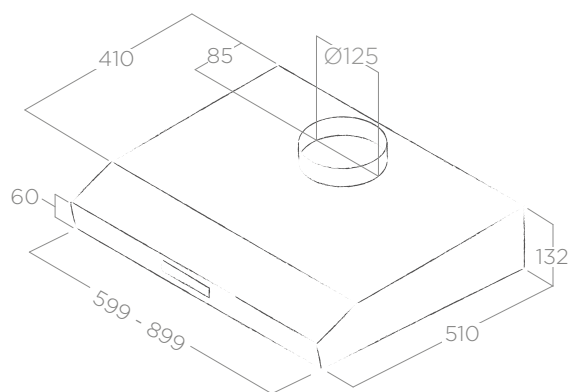


TEHNIČNI PODATKI TECHNICAL FEATURES

Velikost Size	60 - 90 cm
Izvedba Version	Obtočna izvedba Recycling
Videz Finish	Nerjavno jeklo, Bela Stainless steel, white

OSVETLITEV LIGHTING

	ST	GFA - LX
Tipi Type	LED 1 x 3 W	LED 2 x 3 W
Intenzivna moč Intensity	42 LUX	85 LUX
Temperature Temperature	2700 K	2700 K



OBLIKA PERFORMANCE

	ST	GFA	LX
Upravljanje Controls	3 Hit. drsno stikalo 3S Slider	3 Hit. drsno stikalo 3S Slider	3 Hit. drsno stikalo 3S Slider
Maksimalni pretok zraka Max airflow	272 m ³ /h	272 m ³ /h	335 m ³ /h
Raven hrupa Noise level	71 db(A)	71 db(A)	73 db(A)
Popolna absorpcija Total absorption	118 W	121 W	166 W
Izhod Duct size	120 mm	120 mm	120 mm
Razred energetske učinkovitosti Energy class	D (A++/E)	D (A++/E)	D (A++/E)

Z aluminijastim mazalnim filtrom Grease aluminium filter included
Ogleni filter vključen Charcoal filter included

DODATKI ACCESSORIES

Ogleni filter Charcoal Filter	CFC0140064
-------------------------------	------------

MODELI MODELS

KREA ST IX F/60	55311065B
KREA ST IX F/90	55311075B
KREA LX IX F/60	55311112A
KREA LX IX F/90	55311129A
KREA GFA WH/F/60	55310774B





Ekskluzivni zastopnik za Slovenijo:

PMF d.o.o.
Letališka cesta 3c
1000 Ljubljana

Tel: 01 513 51 64
Fax: 01 513 52 08
E-pošta: elica@pmf.si
www.pmf.si

