



SWITCH YOUR KITCHEN
UPSIDE DOWN

PMF

 elica
aria nuova

ISLAND





JOY ISLAND

ELICA DESIGN CENTER

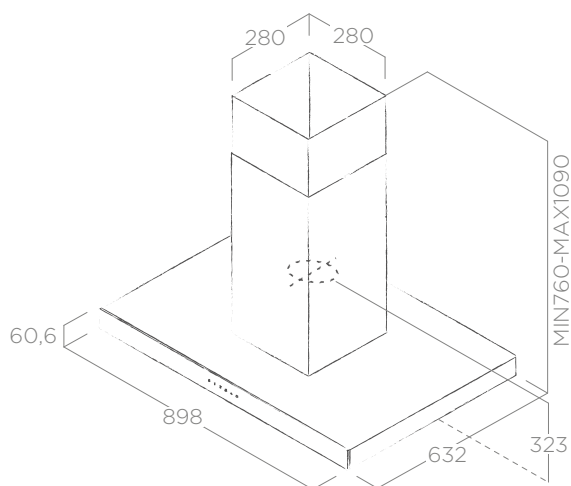


TEHNIČNI PODATKI TECHNICAL FEATURES

Velikost Size	60X90 cm
Izvedba Version	Odzračevalna Duct-out
Videz Finish	Nerjavno jeklo + Črno steklo, Nerjavno jeklo + Belo steklo Stainless steel + black glass, stainless steel + white glass

OSVETLITEV LIGHTING

Tipi Type	LED 4 x 2,5 W
Intenzivna moč Intensity	281 LUX
Temperature Temperature	3500 K



OBLIKA PERFORMANCE

Upravljanje Controls	3 Hitrosti + B na dotik 3S+ B Touch Control
Pretok zraka Booster airflow	710 m ³ /h
Raven hrupa Noise level	69 db(A)
Popolna absorpcija Total absorption	270 W
Izhod Duct size	150 mm
Razred energetske učinkovitosti Energy class	B (A++/E)
Z aluminijastim mazalnim filtrom Grease aluminium Filter included	

DODATKI ACCESSORIES

Ogleni filter Charcoal Filter	CFC0141529
Filter s podaljšanim delovanjem Long Life Filter	CFC0141725

MODELI MODELS

JOY ISLAND BLIX/A/90	PRF0104628A
JOY ISLAND WHIX/A/90	PRF0104629A



CIRCUS PLUS ISLAND

ELICA DESIGN CENTER



LONG LIFE
FILTER



CM50



CM65



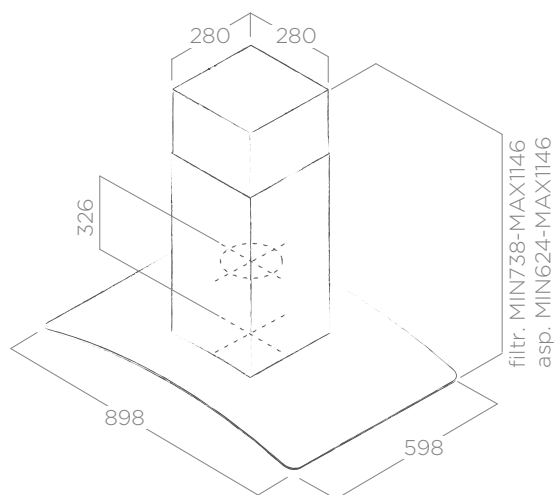
ENERGY
CLASS

TEHNIČNI PODATKI TECHNICAL FEATURES

Velikost Size	60X90 cm
Izvedba Version	Odzračevalna Duct out
Videz Finish	Nerjavno jeklo + steklo Stainless steel + glass

OSVETLITEV LIGHTING

Tipi Type	LED 2 x 2,5 W
Intenzivna moč Intensity	145 LUX
Temperature Temperature	4000 K



OBLIKA PERFORMANCE

Upravljanje Controls	LCD 3V + I 3S + B LCD
Pretok zraka Booster airflow	600 m ³ /h
Raven hrupa Noise level	62 db(A)
Popolna absorpcija Total absorption	265 W
Izhod Duct size	150 mm
Razred energetske učinkovitosti Energy class	A (A++/E)
Z aluminijastim mazalnim filtrom Grease aluminium Filter included	

DODATKI ACCESSORIES

Ogleni filter Charcoal filter	CFC0141529
Filter s podaljšanim delovanjem Long Life Filter	CFC0141725

MODELI MODELS

CIRCUS PLUS ISLAND IX/A/90	PRF0097370
----------------------------	------------



TUBE PRO ISLAND

ELICA DESIGN CENTER

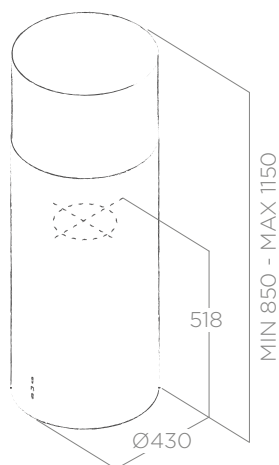


TEHNIČNI PODATKI TECHNICAL FEATURES

Velikost Size	Ø43 cm
Izvedba Version	Odzračevalna Duct out
Videz Finish	Nerjavno jeklo, Črna, Bela Stainless steel, black, white

OSVETLITEV LIGHTING

Tipi Type	LED 2 X 3 W
Intenzivna moč Intensity	401 LUX
Temperature Temperature	3500 K



OBLIKA PERFORMANCE

Upravljanje Controls	3 Hitrosti meh. Gumbi 3s mechanical Push Button
Maksimalni pretok zraka Max airflow	600 m ³ /h
Raven hrupa Noise level	68 db(A)
Popolna absorpcija Total absorption	256 W
Izhod Duct size	150 mm
Razred energetske učinkovitosti Energy class	C (A ⁺⁺ /E)

Z aluminijastim mazalnim filtrom Grease aluminium Filter included

DODATKI ACCESSORIES

Filter s podaljšanim delovanjem Long Life Filter CFC0140423

MODELI MODELS

TUBE PRO ISLAND IX/A/43	PRF0044794A
TUBE PRO ISLAND BL/A/43	PRF0090717A
TUBE PRO ISLAND WH/A/43	PRF0090718A



KUADRA ISLAND

ELICA DESIGN CENTER

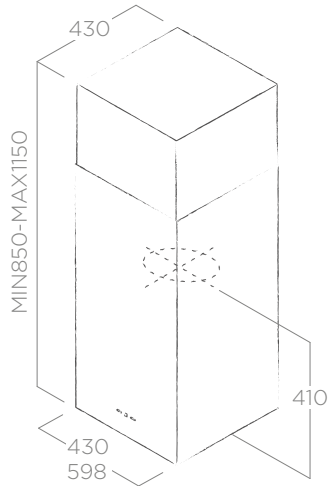


TEHNIČNI PODATKI TECHNICAL FEATURES

Velikost Size	43X43 - 60X43 cm
Izvedba Version	Odzračevalna Duct out
Videz Finish	Nerjavno jeklo Stainless steel

OSVETLITEV LIGHTING

Tipi Type	LED 2 x 2,5 W
Intenzivna moč Intensity	101 LUX
Temperature Temperature	2700 K



OBLIKA PERFORMANCE

Upravljanje Controls	3 Hitrosti + B na dotik z displejem 3S+B Touch Control with display
Pretok zraka booster airflow	495 m ³ /h
Raven hrupa Noise level	62 db(A)
Popolna absorpcija Total absorption	255 W
Izhod Duct size	150 mm
Razred energetske učinkovitosti Energy class	D (A ⁺⁺ /E)

Z aluminijastim mazalnim filtrom Grease aluminium Filter included

DODATKI ACCESSORIES

Filter s podaljšanim delovanjem Long Life Filter CFC0140423

MODELI MODELS

KUADRA ISLAND IX/A/43	PRF0007655A
KUADRA ISLAND IX/A/60	PRF0007028A





Ekskluzivni zastopnik za Slovenijo:

PMF d.o.o.
Letališka cesta 3c
1000 Ljubljana

Tel: 01 513 51 64
Fax: 01 513 52 08
E-pošta: elica@pmf.si
www.pmf.si

