

A kitchen scene where the ceiling is made of horizontal wooden planks and the wall is made of vertical green planks. A wooden shelf is mounted on the ceiling, holding three black pots with wooden handles. Below the shelf, a stainless steel pot is boiling on a black induction cooktop, with steam rising from it. The cooktop is on a white marble countertop above wooden cabinets.

SWITCH YOUR KITCHEN  
UPSIDE DOWN

PMF

 elica  
aria nuova



ADD OR  
REPLACE

# POUČITE SE O MOŽNOSTIH

## LEARN MORE ABOUT PERFORMANCE

	ENERGY CLASS	1 SPEED (airflow-noise)	2 SPEED (airflow-noise)	3 SPEED (airflow-noise)	4 SPEED * (airflow-noise)	5 SPEED * (airflow-noise)	NO RETURN VALVE
Acuta	A	270 m³/h - 46 db(A)	365 m³/h - 53 db(A)	515 m³/h - 60 db(A)	625 m³/h - 65 db(A)	---	√
Adagio	B	155 m³/h - 40 db(A)	275 m³/h - 47 db(A)	495 m³/h - 62 db(A)	755 m³/h - 69 db(A)	---	
Adagio (GME22)	C	380 m³/h - 45 db(A)	525 m³/h - 53 db(A)	625 m³/h - 59 db(A)	735 m³/h - 64 db(A)	---	
Adagio (GME88)	C	270 m³/h - 38 db(A)	400 m³/h - 48 db(A)	645 m³/h - 61 db(A)	755 m³/h - 65 db(A)	---	
Audrey	A	165 m³/h - 36 db(A)	205 m³/h - 41 db(A)	335 m³/h - 53 db(A)	400 m³/h - 56 db(A)	---	
Belt Lux	C	288 m³/h - 50 db(A)	450 m³/h - 58 db(A)	600 m³/h - 68 db(A)	690 m³/h - 71 db(A)	---	√
Berlin	D	165 m³/h - 49 db(A)	224 m³/h - 55 db(A)	392 m³/h - 68 db(A)	---	---	
Bio	A+	125 m³/h - 32 db(A)	400 m³/h - 55 db(A)	495 m³/h - 60 db(A)	600 m³/h - 64 db(A)	757 m³/h - 69 db(A)	√
Bio Island	A+	125 m³/h - 32 db(A)	400 m³/h - 55 db(A)	495 m³/h - 60 db(A)	600 m³/h - 64 db(A)	757 m³/h - 69 db(A)	√
Boxin Plus (60cm)	B	255 m³/h - 49 db(A)	360 m³/h - 55 db(A)	645 m³/h - 68 db(A)	---	---	√
Boxin Plus (90-120cm)	B	270 m³/h - 55 db(A)	360 m³/h - 56 db(A)	645 m³/h - 68 db(A)	---	---	√
Boxin Std	D	140 m³/h - 48 db(A)	190 m³/h - 54 db(A)	368 m³/h - 67 db(A)	---	---	
Ciak	D	100 m³/h - 48 db(A)	130 m³/h - 54 db(A)	255 m³/h - 66 db(A)	---	---	
Circus	D	195 m³/h - 55 db(A)	220 m³/h - 56 db(A)	365 m³/h - 62 db(A)	---	---	
Circus Plus Island	A	220 m³/h - 45 db(A)	290 m³/h - 51 db(A)	445 m³/h - 62 db(A)	600 m³/h - 69 db(A)	---	
Cloud Seven (Duct-out)	A++	225 m³/h - 46 db(A)	400 m³/h - 57 db(A)	460 m³/h - 61 db(A)	700 m³/h - 71 db(A)	760 m³/h - 72 db(A)	√
Cloud Seven (Filtering)	N/A **	215 m³/h - 52 db(A)	340 m³/h - 62 db(A)	475 m³/h - 71 db(A)	550 m³/h - 74 db(A)	---	
Concorde	D	110 m³/h - 45 db(A)	155 m³/h - 54 db(A)	250 m³/h - 64 db(A)	---	---	
Coraline	D	290 m³/h - 56 db(A)	370 m³/h - 61 db(A)	435 m³/h - 65 db(A)	---	---	
Edith	A	165 m³/h - 36 db(A)	205 m³/h - 41 db(A)	335 m³/h - 53 db(A)	400 m³/h - 56 db(A)	---	
Elibloc HT	C	255 m³/h - 49 db(A)	365 m³/h - 58 db(A)	485 m³/h - 65 db(A)	645 m³/h - 71 db(A)	---	
Elite 14	D	125 m³/h - 46 db(A)	160 m³/h - 50 db(A)	304 m³/h - 62 db(A)	---	---	√
Elite 14 Plus	C	272 m³/h - 60 db(A)	342 m³/h - 64 db(A)	400 m³/h - 70 db(A)	---	---	
Elite 26	C	240 m³/h - 44 db(A)	376 m³/h - 54 db(A)	480 m³/h - 61 db(A)	581 m³/h - 65 db(A)	---	√
Elite 35	A	255 m³/h - 46 db(A)	380 m³/h - 55 db(A)	535 m³/h - 63 db(A)	645 m³/h - 67 db(A)	---	√
Elle	A	240 m³/h - 43 db(A)	335 m³/h - 50 db(A)	515 m³/h - 62 db(A)	665 m³/h - 67 db(A)	---	√
Emerald	D	290 m³/h - 56 db(A)	370 m³/h - 61 db(A)	435 m³/h - 65 db(A)	---	---	
Empty Sky (Duct-out)	A+	125 m³/h - 31 db(A)	432 m³/h - 53 db(A)	535 m³/h - 58 db(A)	820 m³/h - 68 db(A)	---	
Empty Sky (Filtering)	**	135 m³/h - 39 db(A)	195 m³/h - 52 db(A)	270 m³/h - 60 db(A)	555 m³/h - 76 db(A)	---	
Era	C	125 m³/h - 45 db(A)	155 m³/h - 47 db(A)	220 m³/h - 54 db(A)	---	---	√
Era C	D	270 m³/h - 58 db(A)	325 m³/h - 63 db(A)	365 m³/h - 66 db(A)	---	---	√
Era S	B	250 m³/h - 56 db(A)	335 m³/h - 63 db(A)	420 m³/h - 68 db(A)	---	---	√
Flat Glass	D	195 m³/h - 55 db(A)	220 m³/h - 56 db(A)	365 m³/h - 62 db(A)	---	---	√
Galaxy Island	C	285 m³/h - 52 db(A)	420 m³/h - 60 db(A)	555 m³/h - 69 db(A)	645 m³/h - 73 db(A)	---	√
Haiku	A	115 m³/h - 32 db(A)	305 m³/h - 47 db(A)	410 m³/h - 52 db(A)	530 m³/h - 58 db(A)	710 m³/h - 65 db(A)	√
Haiku Island	A	120 m³/h - 35 db(A)	305 m³/h - 47 db(A)	410 m³/h - 53 db(A)	530 m³/h - 58 db(A)	720 m³/h - 64 db(A)	√
Hidden	B	240 m³/h - 49 db(A)	345 m³/h - 59 db(A)	480 m³/h - 65 db(A)	600 m³/h - 69 db(A)	---	√
Hilight (H30)	A	150 m³/h - 39 db(A)	425 m³/h - 52 db(A)	455 m³/h - 53 db(A)	710 m³/h - 63 db(A)	770 m³/h - 66 db(A)	√
Illusion (H16)	A	230 m³/h - 48 db(A)	440 m³/h - 62 db(A)	560 m³/h - 68 db(A)	670 m³/h - 72 db(A)	750 m³/h - 75 db(A)	

\* Časovni pospeševalnik hitrosti \*Booster time speeds

\*\* Model ne zahteva obveznega energetskega certificiranja \*Model not subject to compulsory energy certification.

# POUČITE SE O MOŽNOSTIH

## LEARN MORE ABOUT PERFORMANCE

	ENERGY CLASS	1 SPEED (airflow-noise)	2 SPEED (airflow-noise)	3 SPEED (airflow-noise)	4 SPEED * (airflow-noise)	5 SPEED * (airflow-noise)	NO RETURN VALVE
Illusion (H30)	A	150 m³/h - 39 db(A)	425 m³/h - 52 db(A)	455 m³/h - 53 db(A)	710 m³/h - 63 db(A)	770 m³/h - 66 db(A)	√
Interstellar	A	165 m³/h - 36 db(A)	205 m³/h - 41 db(A)	335 m³/h - 53 db(A)	400 m³/h - 56 db(A)	---	
Joy	B	285 m³/h - 51 db(A)	420 m³/h - 61 db(A)	580 m³/h - 69 db(A)	710 m³/h - 73 db(A)	---	
Joy Island	B	285 m³/h - 51 db(A)	420 m³/h - 61 db(A)	580 m³/h - 69 db(A)	710 m³/h - 73 db(A)	---	√
Juno	A	240 m³/h - 47 db(A)	320 m³/h - 54 db(A)	600 m³/h - 67 db(A)	---	---	
Juno Urban	A	240 m³/h - 47 db(A)	320 m³/h - 54 db(A)	600 m³/h - 67 db(A)	---	---	
Krea LX	D	135 m³/h - 52 db(A)	185 m³/h - 59 db(A)	335 m³/h - 73 db(A)	---	---	
Krea GFA	D	115 m³/h - 52 db(A)	208 m³/h - 62 db(A)	272 m³/h - 71 db(A)	---	---	
Krea ST	D	115 m³/h - 52 db(A)	208 m³/h - 62 db(A)	272 m³/h - 71 db(A)	---	---	
Kuadra Island	D	220 m³/h - 48 db(A)	320 m³/h - 55 db(A)	415 m³/h - 62 db(A)	495 m³/h - 66 db(A)	---	√
L'Essenza	B	280 m³/h - 49 db(A)	430 m³/h - 57 db(A)	600 m³/h - 65 db(A)	690 m³/h - 68 db(A)	---	√
Lol	B	270 m³/h - 49 db(A)	380 m³/h - 56 db(A)	515 m³/h - 65 db(A)	665 m³/h - 70 db(A)	---	√
Lullaby (Duct-out)	A	240 m³/h - 39 db(A)	425 m³/h - 52 db(A)	455 m³/h - 53 db(A)	710 m³/h - 63 db(A)	770 m³/h - 66 db(A)	√
Lullaby (Filtering)	**	100 m³/h - 43 db(A)	205 m³/h - 54 db(A)	370 m³/h - 64 db(A)	615 m³/h - 73 db(A)	734 m³/h - 77 db(A)	
Majestic	B	280 m³/h - 49 db(A)	430 m³/h - 57 db(A)	600 m³/h - 65 db(A)	690 m³/h - 68 db(A)	---	√
Meteorite	A	135 m³/h - 32 db(A)	415 m³/h - 53 db(A)	515 m³/h - 59 db(A)	530 m³/h - 64 db(A)	757 m³/h - 68 db(A)	√
Meteorite Island	A	135 m³/h - 32 db(A)	415 m³/h - 53 db(A)	515 m³/h - 59 db(A)	530 m³/h - 64 db(A)	757 m³/h - 68 db(A)	√
Mini OM	A	240 m³/h - 48 db(A)	320 m³/h - 50 db(A)	600 m³/h - 63 db(A)	---	---	√
Missy	D	165 m³/h - 49 db(A)	224 m³/h - 55 db(A)	392 m³/h - 68 db(A)	---	---	√
Moon Island (180cm)	D	285 m³/h - 52 db(A)	430 m³/h - 61 db(A)	580 m³/h - 68 db(A)	690 m³/h - 72 db(A)	---	√
Moon Island (90-120cm)	C	285 m³/h - 52 db(A)	430 m³/h - 61 db(A)	580 m³/h - 68 db(A)	690 m³/h - 72 db(A)	---	√
Naked Urban	B	205 m³/h - 51 db(A)	275 m³/h - 59 db(A)	380 m³/h - 66 db(A)	515 m³/h - 72 db(A)	---	
Nuage	A	240 m³/h - 49 db(A)	330 m³/h - 53 db(A)	445 m³/h - 62 db(A)	580 m³/h - 65 db(A)	---	
Om Air	A	240 m³/h - 42 db(A)	325 m³/h - 48 db(A)	515 m³/h - 60 db(A)	665 m³/h - 66 db(A)	---	
Pandora	A	205 m³/h - 45 db(A)	285 m³/h - 47 db(A)	495 m³/h - 59 db(A)	665 m³/h - 67 db(A)	---	
Pandora (GME22)	C	300 m³/h - 59 db(A)	435 m³/h - 61 db(A)	515 m³/h - 66 db(A)	600 m³/h - 70 db(A)	---	
Pandora (GME88)	C	240 m³/h - 58 db(A)	335 m³/h - 61 db(A)	580 m³/h - 71 db(A)	710 m³/h - 72 db(A)	---	
Pix	A	265 m³/h - 45 db(A)	370 m³/h - 53 db(A)	510 m³/h - 60 db(A)	620 m³/h - 65 db(A)	---	√
Seashell	**	180 m³/h - 55 db(A)	265 m³/h - 63 db(A)	335 m³/h - 67 db(A)	400 m³/h - 70 db(A)	---	
Shining	A	165 m³/h - 36 db(A)	205 m³/h - 41 db(A)	335 m³/h - 53 db(A)	400 m³/h - 56 db(A)	---	
Shire	B	460 m³/h - 60 db(A)	625 m³/h - 60 db(A)	N/A m³/h - N/A db(A)	710 m³/h - 66 db(A)	---	√
Skydome (H16)	A	230 m³/h - 48 db(A)	440 m³/h - 62 db(A)	560 m³/h - 68 db(A)	670 m³/h - 72 db(A)	750 m³/h - 75 db(A)	
Skydome (H30)	A	150 m³/h - 39 db(A)	425 m³/h - 52 db(A)	455 m³/h - 53 db(A)	710 m³/h - 63 db(A)	770 m³/h - 66 db(A)	√
Spot Ng	D	195 m³/h - 55 db(A)	220 m³/h - 56 db(A)	365 m³/h - 62 db(A)	---	---	√
Spot Ng Urban	B	240 m³/h - 46 db(A)	335 m³/h - 55 db(A)	600 m³/h - 69 db(A)	---	---	√
Star	B	205 m³/h - 51 db(A)	275 m³/h - 59 db(A)	380 m³/h - 66 db(A)	515 m³/h - 72 db(A)	---	
Stone	C	255 m³/h - 49 db(A)	360 m³/h - 57 db(A)	625 m³/h - 70 db(A)	---	---	
Stripe Urban	B	304 m³/h - 50 db(A)	432 m³/h - 56 db(A)	603 m³/h - 65 db(A)	757 m³/h - 69 db(A)	---	√
Stripe Lux	B	304 m³/h - 50 db(A)	432 m³/h - 56 db(A)	603 m³/h - 65 db(A)	757 m³/h - 69 db(A)	---	√

# POUČITE SE O MOŽNOSTIH

## LEARN MORE ABOUT PERFORMANCE

	ENERGY CLASS	1 SPEED (airflow-noise)	2 SPEED (airflow-noise)	3 SPEED (airflow-noise)	4 SPEED * (airflow-noise)	5 SPEED * (airflow-noise)	NO RETURN VALVE
Sweet	B	255 m <sup>3</sup> /h - 50 db(A)	340 m <sup>3</sup> /h - 56 db(A)	480 m <sup>3</sup> /h - 65 db(A)	625 m <sup>3</sup> /h - 70 db(A)	---	√
Tamaya	D	266 m <sup>3</sup> /h - 60 db(A)	320 m <sup>3</sup> /h - 65 db(A)	350 m <sup>3</sup> /h - 67 db(A)	---	---	
Tamaya Rail	D	285 m <sup>3</sup> /h - 53 db(A)	369 m <sup>3</sup> /h - 58 db(A)	430 m <sup>3</sup> /h - 62 db(A)	---	---	√
Thin	A	120 m <sup>3</sup> /h - 43 db(A)	305 m <sup>3</sup> /h - 48 db(A)	410 m <sup>3</sup> /h - 54 db(A)	520 m <sup>3</sup> /h - 59 db(A)	710 m <sup>3</sup> /h - 66 db(A)	√
Thin Island	A	120 m <sup>3</sup> /h - 43 db(A)	305 m <sup>3</sup> /h - 48 db(A)	410 m <sup>3</sup> /h - 54 db(A)	520 m <sup>3</sup> /h - 59 db(A)	710 m <sup>3</sup> /h - 66 db(A)	√
Tube Pro	C	240 m <sup>3</sup> /h - 47 db(A)	365 m <sup>3</sup> /h - 56 db(A)	600 m <sup>3</sup> /h - 68 db(A)	---	---	√
Tube Pro Island	C	240 m <sup>3</sup> /h - 47 db(A)	365 m <sup>3</sup> /h - 56 db(A)	600 m <sup>3</sup> /h - 68 db(A)	---	---	√
Wave	B	205 m <sup>3</sup> /h - 51 db(A)	275 m <sup>3</sup> /h - 59 db(A)	380 m <sup>3</sup> /h - 66 db(A)	515 m <sup>3</sup> /h - 72 db(A)	---	

	ENERGY CLASS	1 SPEED m <sup>3</sup> /h-db(A)	2 SPEED m <sup>3</sup> /h-db(A)	3 SPEED m <sup>3</sup> /h-db(A)	4 SPEED m <sup>3</sup> /h-db(A)	5 SPEED m <sup>3</sup> /h-db(A)	6 SPEED m <sup>3</sup> /h-db(A)	7 SPEED m <sup>3</sup> /h-db(A)	8 SPEED m <sup>3</sup> /h-db(A)	9 SPEED m <sup>3</sup> /h-db(A)	BOOSTER 1* m <sup>3</sup> /h-db(A)	BOOSTER 2* m <sup>3</sup> /h-db(A)
NT Flame (Duct-Out)	A	195 - 43	206 - 57	398 - 61	---	---	---	---	---	---	488 - 66	610 - 72
NT Flame (Filtering)	**	177 - 43	337 - 69	377 - 71	---	---	---	---	---	---	402 - 72	422 - 73
NT Libra (Duct-Out)	A	195 - 47	206 - 57	398 - 61	---	---	---	---	---	---	488 - 66	610 - 72
NT Libra (Filtering)	**	175 - 54	336 - 69	384 - 71	---	---	---	---	---	---	400 - 72	422 - 73
NT One Hp (Duct-Out)	A+	160 - 36	232 - 45	256 - 48	288 - 51	312 - 53	328 - 55	360 - 57	384 - 58	400 - 59	647 - 71	---
NT One Hp (Filtering)	**	134 - 42	174 - 48	230 - 54	243 - 56	288 - 60	306 - 61	326 - 63	349 - 64	363 - 65	536 - 74	---
NT One (Duct-Out)	A+	160 - 36	232 - 45	256 - 48	288 - 51	312 - 53	328 - 55	360 - 57	384 - 58	400 - 59	647 - 71	---
NT One (Filtering)	**	134 - 42	174 - 48	230 - 54	243 - 56	288 - 60	306 - 61	326 - 63	349 - 64	363 - 65	536 - 74	---
NT Prime (Duct-Out)	A	195 - 43	206 - 57	398 - 61	---	---	---	---	---	---	488 - 66	610 - 72
NT Prime (Filtering)	**	175 - 54	336 - 69	384 - 71	---	---	---	---	---	---	400 - 72	422 - 73
NT Switch (Duct-Out)	A+	121 - 37	150 - 49	278 - 52	296 - 54	314 - 56	338 - 58	368 - 59	374 - 60	---	580 - 70	620 - 72
NT Switch (Filtering)	**	134 - 43	174 - 48	230 - 55	243 - 56	288 - 60	306 - 62	326 - 63	349 - 64	---	363 - 65	536 - 74
NT Upside (Duct-Out)	A	190 - 36	224 - 41	266 - 48	302 - 54	326 - 57	350 - 61	368 - 64	392 - 66	---	404 - 70	560 - 72
NT Upside (Filtering)	**	138 - 45	172 - 54	226 - 56	250 - 58	281 - 60	300 - 62	319 - 63	349 - 64	---	368 - 71	510 - 72

\* Časovni pospeševalnik hitrosti \*Booster time speeds

\*\* Model ne zahteva obveznega energetskega certificiranja \*Model not subject to compulsory energy certification.

# DALJINSKI UPRAVLJALNIK REMOTE CONTROLS

Nov Elicin radijski nadzor , ki ga je zasnoval Fabrizio Crisà je super tanek , odporen in praktičen , zaradi magnetov , ki omogočajo mesto na kovinskih predmetih . Na voljo je v steklenem ali aluminijastem ter v črni ali beli barvi.

The new Elica radio control, designed by Fabrizio Crisà, is super thin, resistant and practical, thanks to the magnets that allow it to be placed on metal object. It comes in glass or aluminum, in black or white.

KIT0121468 BELA WHITE

KIT0121469 ČRNA BLACK



OMOGOČA VAM, DA VKLOPITE **SVETLOBO OKOLICE**. DRŽITE DLJE ČASA, DA SE PRILAGODI SVETLOST SVETLOBE.

Allows you to turn on the **AMBIENT LIGHT**. Hold down for a longer time to adjust the brightness of the light.

BATERIJA ZA PONOVRNO POLNENJE Z MICRO USB VHODOM. KABEL PRILOŽEN.

Rechargeable battery with micro USB plug. (cord included).



TIPKA + POVEČUJE ASPIRACIJSKO MOČ , MEDTEM KO JO TIPKA - ZMANJŠA. Z DRŽANJEM SLEDNJE SE NAPA IZKLOPI NE GLEDE NA NJENO TRENUTNO HITROST.

The + key increases the aspiration power, while the - key decreases it. By holding down the latter, the hood switches off regardless of its current speed.

125

LUČKA NAD KUHALNO PLOŠČO SE VKLOPI Z RAHLIM PRITISKOM NA TIPKO. ČE JO DRŽITE ZA DALJŠE OBDOBJE LAHKO AKTIVIRATE NAPREDNE FUNKCIJE , GLEDE NA VAŠ MODEL: **DIM -LIGHT** ( KI PRILAGODI SVETLOST ) ALI **TUNE - WHITE** ( KI OMOGOČA VARIACIJO SVETLOBE TEMPERATURE ).

The **LIGHT** above the HOB is switched on by lightly pressing the key. By holding it down for a longer period, you can activate the advanced features, according to your model: the **DIM-LIGHT** (that adjusts brightness) or the **TUNE-WHITE** (that allows for the variation of the led light temperature)

# DODATKI ZA SVETILKO LIGHTING ACCESSORIES

Pribor za razsvetljavo Elice je mogoče optimalno kombinirati z modeli linije Ceiling. Za vsak kabelski komplet z držalom za svetilko lahko izberete poljubno žarnico in prostor osvetlite po lastnem okusu.

Lighting accessories from Elica are best matched with models from the Ceiling line. For each wiring kit, complete with lamp holder, you can choose your preferred lamp to personalise each environment to your own taste.

√ SVETILKA 5 W

√ NAJVEČJA PORABA ELEKTRIKE PRI ODVODU PARE 100 W

√ KRMILJENJE Z DALJINSKIM UPRAVLJALNIKOM

√ KRMILJENJE S STENSKIM STIKALOM

√ ZATEMNILNIK (DODATNA OPREMA)

√ LAMP POWER CONSUMPTION 5 W

√ MAX POWER CONSUMPTION SUSTAINED BY THE HOOD 100 W

√ REMOTE CONTROL

√ CONTROLLED BY WALL SWITCH

√ DIMMABLE (OPTIONAL ACCESSORY KIT0147878)

## SVETILKE LAMPS



SVETILKA LED EDISON  
POZLAČENA  
LED BULB  
GOLDEN EDISON  
KIT0147865



SVETILKA LED CEVNA  
POZLAČENA  
LED BULB  
GOLDEN TUBULAR  
KIT0147866



SVETILKA LED OKROGLA  
POZLAČENA XXL  
LED BULB  
GOLDEN SPHERE XXL  
KIT0147862



SVETILKA LED  
OKROGLA PROZORNA  
LED BULB  
TRANSPARENT  
KIT0147863



SVETILKA LED  
OKROGLA POZLAČENA  
LED BULB  
GOLDEN  
KIT0147864



Na voljo za modele Lullaby, Illusion, Skydome in Hilight.  
Available for models Lullaby Illusion, Skydome e Hilight.

# KABLI IN GRILA SVETIL WIRING AND LAMP HOLDER



KOMPLET ZA OSVETLITEV SIVA BAKRENA  
LIGHTING KIT COPPER GRAY



KIT0147867



KOMPLET ZA OSVETLITEV BOMBAŽ NA ČRTE  
LIGHTING KIT STRIPES COTTON



KIT0147873



KOMPLET ZA OSVETLITEV GROBI BOMBAŽ 2XL  
LIGHTING KIT RAW COTTON 2XL



KIT0147868



KOMPLET ZA OSVETLITEV SVILEN UČINEK  
LIGHTING KIT SILK EFFECT



KIT0147874



KOMPLET ZA OSVETLITEV ŽAKLOVINA XL  
LIGHTING KIT JUTE XL



KIT0147869



KOMPLET ZA OSVETLITEV ŽAKLOVINA  
LIGHTING KIT JUTE



KIT0147875



KOMPLET ZA OSVETLITEV NARAVNI LAN XL  
LIGHTING KIT NATURAL LINEN XL



KIT0147870



KOMPLET ZA OSVETLITEV NARAVNI SIVI LAN  
LIGHTING KIT NAT LINEN GRAY



KIT0147876



KOMPLET ZA OSVETLITEV DVOBARVNI BOMBAŽ  
LIGHTING KIT BICOLOR COTTON



KIT0147872



KOMPLET ZA OSVETLITEV KOSITRANI BAKER  
LIGHTING KIT TINNED COPPER



KIT0147877

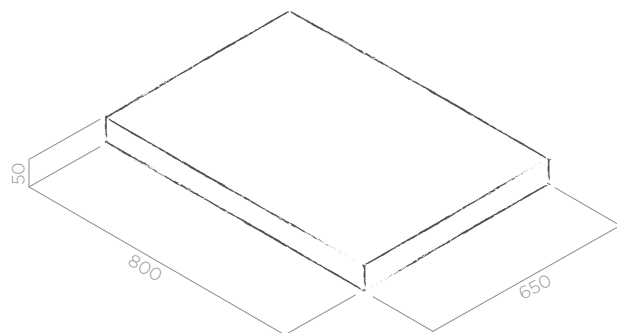
\*Svetilka ni vključena \*Lamp not included



# POLICAZA VGRADNJO SHELVES KIT

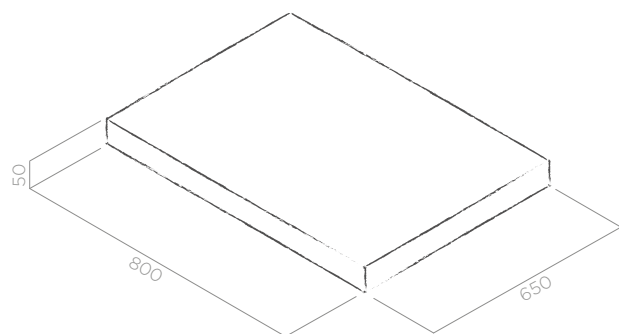
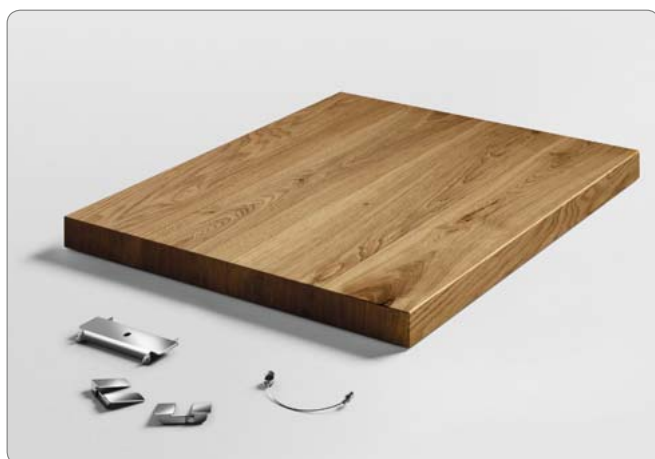
KIT0147859

POLICAZA VGRADNJO LULLABY (BELA)  
SHELF KIT LULLABY (WHITE)



KIT0147858

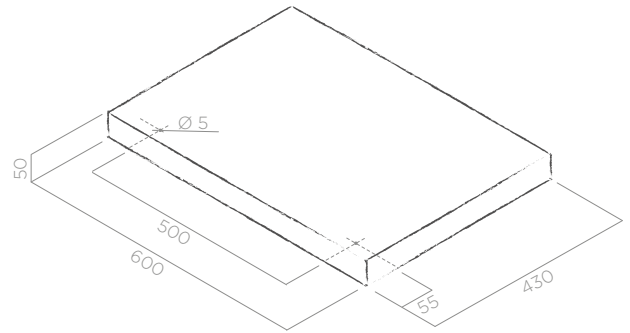
POLICAZA VGRADNJO LULLABY (LES)  
SHELF KIT LULLABY (WOOD)



# POLICAZA VGRADNJO SHELVES KIT

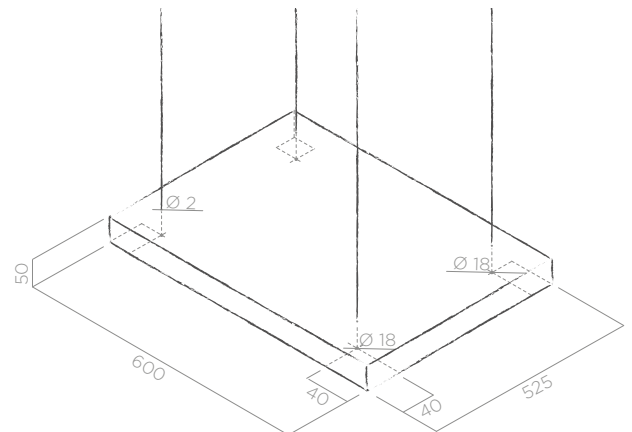
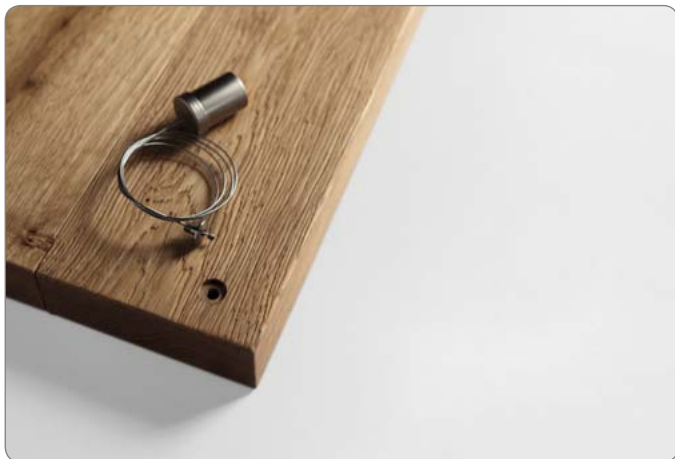
KIT0120946

POLICAZA VGRADNJO BIO 60CM  
SHELF KIT BIO 60CM



KIT0120947

POLICAZA VGRADNJO BIO ISLAND 60CM+ 2 KABLA  
SHELF KIT BIO ISLAND 60CM+ 2 CABLES



KIT0120948

POLICA KABEL KIT BIO ISLAND 1,7 M  
CABLES KIT BIO ISLAND 1,7 MT

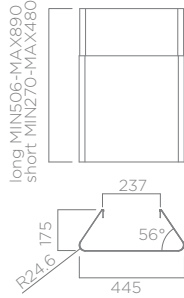


# CAMINI SPECIALI SPECIAL CHIMNEYS

KIT0010439 (LONG)  
KIT0010700 (SHORT)



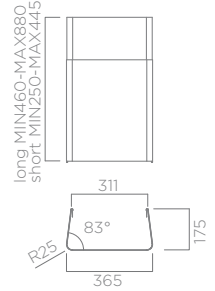
NA RAZPOLAGO ZA Available for  
OM AIR/BELT 80



KIT0010519 (LONG)  
KIT0010701 (SHORT)



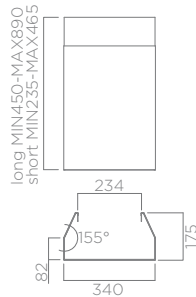
NA RAZPOLAGO ZA  
Available for  
BELT 55



KIT01513 (LONG)  
KIT01797 (SHORT)



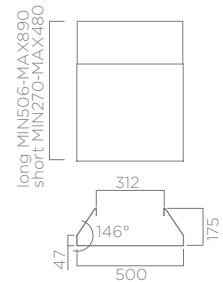
NA RAZPOLAGO ZA  
Available for  
MINI OM



KIT0010703 (LONG)  
KIT0010704 (SHORT)

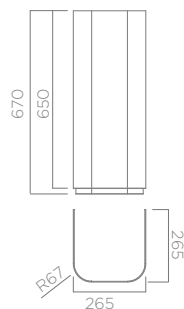


NA RAZPOLAGO ZA  
Available for  
ELLE



KIT0049580 BELA WHITE  
KIT0049581 UMBER UMBER  
KIT0049583 IVORIY IVORY  
KIT0121142 LITO ŽELEZO CAST IRON  
KIT0121146 PELTROX PELTROX  
KIT0121147 BAKER COPPER

NA RAZPOLAGO ZA  
Available for  
SWEET



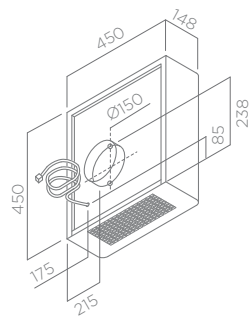
# MOTORI REMOTI REMOTE MOTORS

## GME22 MOTOR

PRF0006212A

Pretok zraka airflow 1420 m<sup>3</sup>/h  
 Popolna absorbcija 200 W  
 Total absorption  
 Izhod Duct size 150 mm

NA RAZPOLAGO ZA  
 Available for  
 ADAGIO / PANDORA

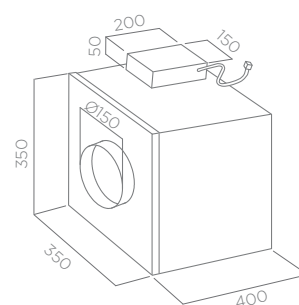


## GME88 MOTOR

PRF0046491A

Pretok zraka airflow 1495 m<sup>3</sup>/h  
 Popolna absorbcija 250 W (50Hz)  
 Total absorption 390 W (60Hz)  
 Izhod Duct size 150 mm

NA RAZPOLAGO ZA  
 Available for  
 ADAGIO / PANDORA

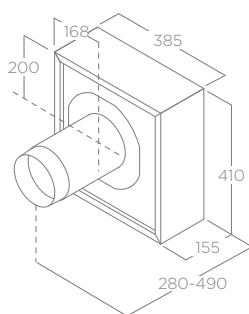


## GME EXTERNAL WALL

KIT0147880

Pretok zraka airflow 1100 m<sup>3</sup>/h  
 Popolna absorbcija 150 W  
 Total absorption  
 Izhod Duct size 150 mm

NA RAZPOLAGO ZA  
 Available for  
 HILIGHT / ILLUSION /  
 SKYDOME

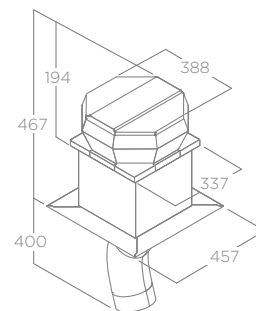
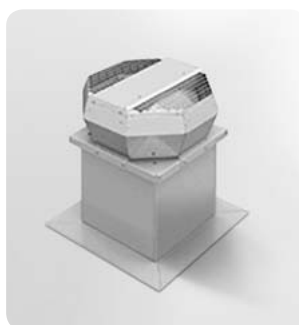


## GME EXTERNAL ROOF TILED

KIT0147881

Pretok zraka airflow 1200 m<sup>3</sup>/h  
 Popolna absorbcija 200 W  
 Total absorption  
 Izhod Duct size 150 mm

NA RAZPOLAGO ZA  
 Available for  
 HILIGHT / ILLUSION /  
 SKYDOME

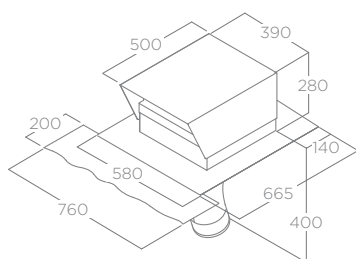


## GME EXTERNAL INCLINED ROOF

KIT0147882

Pretok zraka airflow 1200 m<sup>3</sup>/h  
 Popolna absorbcija 200 W  
 Total absorption  
 Izhod Duct size 150 mm

NA RAZPOLAGO ZA  
 Available for  
 HILIGHT / ILLUSION /  
 SKYDOME

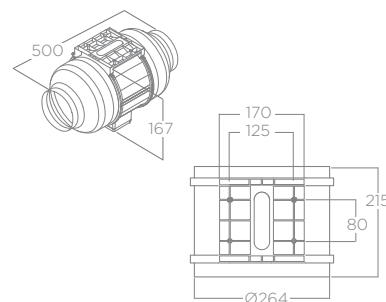


## GME INTERNAL INLINE

KIT0147879

Pretok zraka airflow 2150 m<sup>3</sup>/h  
 Popolna absorbcija 250 W  
 Total absorption  
 Izhod Duct size 150 mm

NA RAZPOLAGO ZA  
 Available for  
 HILIGHT / ILLUSION /  
 SKYDOME



## MAŠČOBNI FILTRI GREASE FILTERS

### FILTER IZ ALUMINIJA ALUMINIUM GREASE FILTER



Večplastni aluminijasti maščobni filter (GFA). Ta filter je najpogostejši na trgu zaradi svoje velikosti, ker ga zlahka speremo ročno ali v pomivalnem stroju.

Layered aluminum grease filter (GFA). This filter is the most common on the market, also because, thanks to its size it can be easily washed by hand, or in the dishwasher.

KIT GREASE FILTER ALUMINIUM

KIT0010805

NA RAZPOLAGO ZA Available for  
EASY / MAJESTIC / SINFONIA / OM

### PROFESIONALEN FILTER BUFFLE BUFFLE PROFESSIONAL FILTER



Vsi jekleni maščobni filtri dajejo napam značilno industrijski videz. Zahvaljujoč labirintu jeklenih plasti ta filter omogoča veliko zmogljivost zajemanja maščob.

All steel grease filter that gives the product a typical industrial hood look. Thanks to the labyrinth of steel layers, this filter has a high grease capturing capacity.

KIT PROFESSIONAL BUFFLE

KIT0010804

NA RAZPOLAGO ZA Available for  
EASY / MAJESTIC / SINFONIA / OM

## MAŠČOBNI FILTRI GREASE FILTERS

### PROFESIONALEN FILTER IZ NERJAVEČEGA JEKLA PROFESSIONAL STAINLESS STEEL GREASE FILTERS



Maščobni filter s prvo plastjo v jeklu in Microperforated, ki ga zlahka operemo ter omogoča veliko zmogljivost zajemanja maščob.

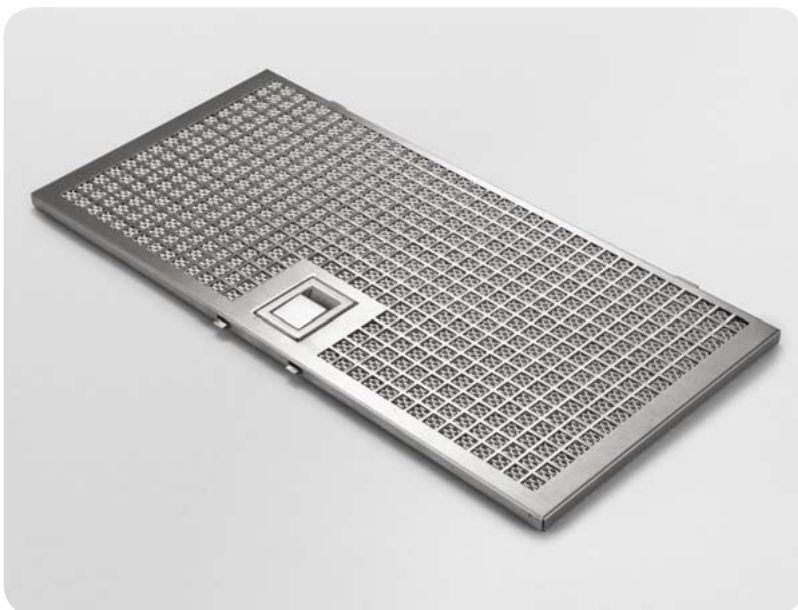
Grease filter with the first layer in steel and a microperforated back metal sheet, easily washable and with high grease capturing capacity.

KIT PROFESSIONAL INOX ALEPH

KIT0010806

NA RAZPOLAGO ZA Available for  
EASY / MAJESTIC / SINFONIA / OM

### FILTER IZ NERJAVEČEGA JEKLA STAINLESS STEEL GREASE FILTER



Večplastni aluminijasti maščobni filter (GFA). Prvi estetski jekleni filter daje profesionalen videz, medtem ko še vedno ohranja svojo enostavno pralnost.

Layered aluminum grease filter (GFI). The first aesthetic steel layer gives it a professional look, while still maintaining its easy washability.

## ZUNANJI FILTRI ODOUR FILTERS

### OGLENI FILTER CHARCOAL FILTER



Tradicionalni filter, sestavljen iz mešanice aktivnega oglja izgubi svojo učinkovitost z uporabo in ima povprečno življenjsko dobo 3-6 mesecev.

The traditional odour filter, made up of a mix of activated carbons, loses its efficiency through use and has an average life of 3-6 months.

### REVOLUCIJSKI FILTER REVOLUTION FILTER



### DOLGO ŽIVLJENJSKI FILTER LONG LIFE FILTER



Dolgo življenjski filter ima enake lastnosti kot revolucijski filter, vendar z učinkovitostjo filtriranja, ki sega od 40-60 %.

The Long Life Filter has the same characteristics of the revolution filter, but with a filtering efficiency that ranges from 40-60 %.

Maščobni filter z zelo visokim izkoristkom > 82 %. Lahko se obnovi in traja več kot 3 leta. Filter je treba oprati vsake 2 ali 3 mesece z vročo vodo in blagim milom ali v pomivalnem stroju pri 65 stopinjah in sušimo v pečici 10 minut pri 100 stopinjah.

Grease filter with very high efficiency level >82%. Capable of regenerating itself and of lasting up to a maximum of 3 years in comparison to standard filters. To maintain such characteristics, the filter must be washed every 2 or 3 months with hot water and mild soap, or in the dishwasher at 65°C. and can be dried in the the oven for 10 minutes at 100°.

### KERAMIČNI FILTER CERAMIC FILTER



Keramični filter je inovativen modularni ogljeni filter, ki ga lahko termično regeneriramo v pečici vsake 2/3 mesece pri 200 ° C. Njegove fizične lastnosti omogočajo visoko učinkovitost absorpcije in zelo visoko mehansko trdnost.

The ceramic filter is a modular charcoal filter that can be thermally regenerated in the oven every 2/3 months at 200° for 45 minutes, up to max 5 years. It allows for very high odour absorption efficiency and very high mechanical strength.

### FILTER Z OGLJENIMI VLAKNI CARBON FIBRE FILTER



Filter iz ogljikovih vlaken je filter za vonjave, izdelan iz posebnih vlaken, ki vsebujejo granule z aktivnim ogljikom. Učinkovito absorbira vonjave. Ker filter iz ogljikovih vlaken ni obnovljiv, ima povprečno življenjsko dobo enega leta, kar je več kot dvakrat več od tradicionalnega ogljenega filtra.

The carbon fibre filter is an odour filter made up of special fibres containing granules of activated charcoal. It is extremely efficient in absorbing odours. It cannot be regenerated yet has an average life of one year, more than double that of a traditional charcoal filter.

# ZUNANJI FILTRI ODOUR FILTERS

	FILTER CODE FILTER CODE	TIP FILTROV FILTER TYPE		FILTER CODE FILTER CODE	TIP FILTROV FILTER TYPE
ACUTA	CFC0140343	Ogleni/Charcoal		LOL	CFC0141529 Ogleni/Charcoal
ADAGIO	CFC0142330	Ogleni/Charcoal			CFC0141725 Long Life
AUDREY	CFC0140090	Long Life		LULLABY	KIT0147856 Fibra Carb./Charc. Fiber
	CFC0140053	Revolution Filter			KIT0147861 Revolution Filter
BELT LUX	CFC0140343	Ogleni/Charcoal		MAJESTIC	CFC0140343 Ogleni/Charcoal
BERLIN	CFC0141497	Ogleni/Charcoal		METEORITE	CFC0140091 Revolution Filter
BIO	CFC0140091	Revolution Filter		METEORITE ISLAND	CFC0140091 Revolution Filter
BIO ISLAND	CFC0140091	Revolution Filter		MINI OM	CFC0140423 Long Life
BOXIN	CFC0140343	Ogleni/Charcoal		MISSY	CFC0141497 Ogleni/Charcoal
BOXIN PLUS	CFC0140343	Ogleni/Charcoal		MOON ISLAND	CFC0141725 Long Life
CIAK	CFC0141563	Ogleni/Charcoal			
CIRCUS	CFC0141529	Ogleni/Charcoal		NAKED URBAN	CFC0140384 Long Life
	CFC0141725	Long Life		NIKOLATESLA FLAME	KIT0120952 Keramike/Ceramic
CIRCUS PLUS ISLAND	CFC0141529	Ogleni/Charcoal			KIT0147855 Fibra Carb./Charc. Fiber
	CFC0141725	Long Life		NIKOLATESLA LIBRA	KIT0120952 Keramike/Ceramic
CLOUD SEVEN	CFC0140426	Long Life			KIT0147855 Fibra Carb./Charc. Fiber
CONCORDE	CFC0140390	Ogleni/Charcoal		NIKOLATESLA ONE	KIT0120952 Keramike/Ceramic
CORALINE	CFC0140124	Ogleni/Charcoal			KIT0147855 Fibra Carb./Charc. Fiber
EDITH	CFC0140090	Long Life		NIKOLATESLA PRIME	KIT0120952 Keramike/Ceramic
	CFC0140053	Revolution Filter			KIT0147855 Fibra Carb./Charc. Fiber
ELIBLOC HT	CFC0140122	Ogleni/Charcoal		NIKOLATESLA SWITCH	KIT0120952 Keramike/Ceramic
ELITE 14	CFC0141571	Ogleni/Charcoal			KIT0147855 Fibra Carb./Charc. Fiber
ELITE 26	CFC0140343	Ogleni/Charcoal		NIKOLATESLA UPSIDE	KIT0120952 Keramike/Ceramic
ELITE 35	CFC0140075	Ogleni/Charcoal			KIT0147855 Fibra Carb./Charc. Fiber
ELLE	CFC0140343	Ogleni/Charcoal		NUAGE	CFC0140343 Ogleni/Charcoal
EMERALD	CFC0140124	Ogleni/Charcoal		OM AIR	CFC0140343 Ogleni/Charcoal
EMPTY SKY	CFC0141772	Revolution Filter		PANDORA	CFC0142324 Ogleni/Charcoal
	CFC0141809	Long Life		PIX	KIT0147175 Long Life
ERA	CFC0141571	Ogleni/Charcoal		SEASHELL	CFC0141725 Long Life
ERA C	CFC0141571	Ogleni/Charcoal		SHINING	CFC0140090 Long Life
ERA S	CFC0141571	Ogleni/Charcoal			
FLAT GLASS	CFC0141529	Ogleni/Charcoal		SHIRE	CFC0140343 Ogleni/Charcoal
	CFC0141725	Long Life		SPOT NG	CFC0141529 Ogleni/Charcoal
GALAXY ISLAND	CFC0141725	Long Life			
		CFC0141529	Ogleni/Charcoal	SPOT NG URBAN	CFC0141529 Ogleni/Charcoal
HAIKU	CFC0141529	Ogleni/Charcoal			CFC0141725 Long Life
	CFC0141725	Long Life		STAR	CFC0140384 Long Life
HAIKU ISLAND	CFC0141529	Ogleni/Charcoal		STONE	CFC0141529 Ogleni/Charcoal
	CFC0141725	Long Life			
HIDDEN	CFC0140343	Ogleni/Charcoal		STRIPE LUX	CFC0140343 Ogleni/Charcoal
INTERSTELLAR	CFC0140090	Long Life		STRIPE URBAN	CFC0140343 Ogleni/Charcoal
	CFC0140053	Revolution Filter		SWEET	CFC0140426 Long Life
JOY	CFC0141529	Ogleni/Charcoal		TAMAYA	CFC0140124 Ogleni/Charcoal
	CFC0141725	Long Life		TAMAYA RAIL	CFC0140124 Ogleni/Charcoal
JOY ISLAND	CFC0141529	Ogleni/Charcoal		THIN	CFC0141529 Ogleni/Charcoal
	CFC0141725	Long Life			
JUNO	CFC0140088	Long Life		THIN ISLAND	CFC0141529 Ogleni/Charcoal
JUNO URBAN	CFC0140088	Long Life			
KREA	CFC0140064	Ogleni/Charcoal		TUBE PRO	CFC0140423 Long Life
KUADRA ISLAND	CFC0140423	Long Life		TUBE PRO ISLAND	CFC0140423 Long Life
L'ESSENZA	CFC0140343	Ogleni/Charcoal		WAVE	CFC0140384 Long Life



# OPREMA ZA MONTAŽO INSTALLATION ACCESSORIES

## SERIE 150X70 Ø 125

1052A



150x70x1000mm

1052B



150x70x1500mm

1052C



150x70x1000mm

1052F



90° 150x70mm

1052G



150x70 - Ø125mm

1052L



Ø125-100mm

1052N



Ø125x1000mm

1052W



Ø125x3000mm

1052O



Ø125x1000mm

1052P



Ø125

1052Q



150x70 - Ø125mm

1052R



90° Ø125mm

1052D



150x70mm

1052E



90° 150x70mm

KIT0094727



Ø125x750mm + sponka za cev

# OPREMA ZA MONTAŽO INSTALLATION ACCESSORIES

## SERIE 220X90 Ø 150

1053M



220x90x1000mm

1052AD



Ø150x3000mm

1053R



90° 220x90mm

1053S



90° 220x90mm

1053W



Ø150x1000mm

1053Y



90° Ø150mm

1053Q



220x90 - Ø150mm

1053Z



Ø150

1053N



220x90mm

1052M



Ø150-125mm

1053P



220x90 - Ø150mm

KIT0094725



Ø150x750mm + sponka za cev

# KUHINJSKA NAPA IN VI THE HOOD AND YOU

## ZAKAJ NAPA

NAPA JE KLJUČNA PRI ZAGOTOVITVI ČISTEGA ZRAKA V KUHINJI.

Njena osnovna naloga je, da zagotavlja čisti zrak z eliminiranjem zažganega, smradu in vlage, ki škoduje tako ljudem kot tudi pohištvu.

Napa je bistvena za zagotavljanje dobrega počutja, za torej pomembno, da se pred nakupom pozanimate o naslednjem:

- odsesevalni moči ki jo potrebujete za zagotavljanje pretočnosti zraka in porabi električne energije.
- primerno osvetlitev delovne površine
- oblika ki je všečna vam in je skladna s prostorom
- enostavno uporabo in nizko glasnost

## KAKO IZBRATI PRAVO

IZBERITE TISTO KI ZADOSTUJE VAŠE POTREBE V KUHINJI, TER ZAGOTAVLJA SVOBODO V GIBANJU IN ZAGOTAVLJA PREPORSTO PRIPRAVLJANJE HRANE.

Napa naj ima primerno sesalno moč. Glede na dimenzije prostora in vaše kuhalne razvade izberite pravo napo zase, ki bo zadovoljevala vaše potrebe in porabo električne energije. Preprosta kalkulacija vam bo dala odgovor o primerni kapaciteti. multiplicirajte volumen prostora z 10 in dobite idealno kapaciteto.

Izberite pravo napo in si zagotovite svež zrak v vaši kuhinji.

IMATE VEČ MOŽNOSTI MONTAŽE IZBERITE NAJBOLJŠO VERZIJO ZA VAŠ DOM IN DOBRO POČUTJE. KUHINJSKI APARAT JE LOCIRAN OB STENI ZATOREJ NAJ BO NAPA STROPNA

### 1 Na steno

kuhinja je nameščena ob steni tako, da se kuhalna površina dotika stene (napo namestimo na steno).

### 2 Samostojno

kuhinja je nameščena na sredino prostora tako, da se kuhalna površina ne dotika stene (napo namestimo na strop).

### 3 V kot

kuhinja je nameščena ob dve steni prostora, kuhalna površina pa se nahaja v kotu (napo namestimo na stične stene).

### 4 Vgradnja

kuhalna površina je nameščena v kos pohištva (napo namestimo v notranjost pohištva).

## WHY THE HOOD

THE HOOD IS ESSENTIAL TO BREATHE CLEAN AIR IN THE KITCHEN.

Its main function is to improve the quality of air, by eliminating burning fumes, bad cooking odours and vapours that are harmful to both people, furniture and walls.

The hood is a valuable ally for your wellbeing. This is why, when choosing one, you need to make sure that it provides:

- Suction performance suitable for your needs and environment, in order to obtain proper air flow and lower electricity consumption
- Effective light source to facilitate food preparation
- Design that suits your taste and needs
- Good usability and low noise level

## HOW TO CHOOSE IT

CHOOSE A HOOD THAT FACILITATES YOUR WORK IN THE KITCHEN, AFFORDS FREEDOM OF MOVEMENT AND SIMPLIFIES FOOD PREPARATION.

The hood should also have the right suction power. Consider the size of your kitchen and your cooking habits: this is the only way to obtain the right air flow and lower electricity consumption.

A simple calculation allows understanding the most suitable capacity for every kitchen. Just multiply the volume of the room by 10 to obtain the ideal capacity.

Choose your hood carefully and bring new air into your kitchen.

THERE IS A WIDE RANGE OF INSTALLATION OPTIONS. FIND THE MODEL THAT BEST SUITS YOUR ROOM, LIFESTYLE AND WAY OF BEING

### 1 Wall-mounted

The kitchen unit is located against the wall with the cooktop adjacent to the wall. Hood to be mounted on the wall.

### 2 Island

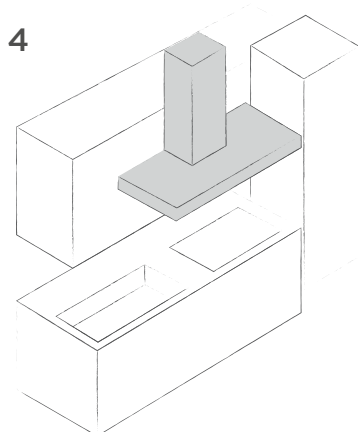
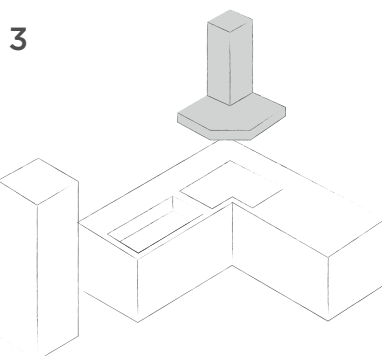
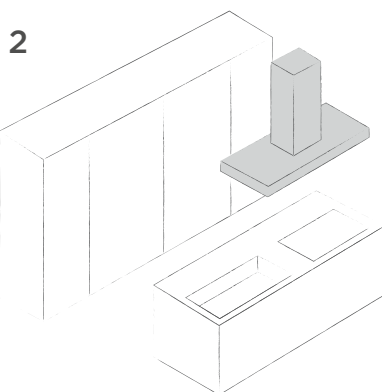
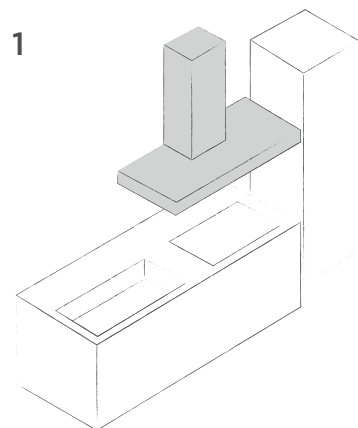
The kitchen unit is located at the center of the room with the cooktop away from the wall. Hood to be mounted on the ceiling.

### 3 Corner

The kitchen unit extends along two walls of the room and the cooktop is located in the corner. Hood to be installed between the adjacent walls.

### 4 Built-in

The cooktop is located under a wall unit. Hood to be installed inside the wall unit.



## KAKO PRAVILNO MONTIRATI

5

DELOVANJE VAŠE KUHINJSKE NAPE IN TAKO ZAGOTOVITEV OPTIMALNEGA DELOVANJA JE LAHKO ZAGOTOVLJENO S POMOČJO USPOSOBLJENE OSEBE. MONTAŽA IN DELOVANJE SE RAZLIKUJE GLEDE NA TIP MONTAŽE: REECIRKULIRANJE ALI ODSESAVANJE IZ PROSTORA.

Manjši izdelki Elica lahko delujejo tako na eni kot na drugi strani, vendar upoštevajte sledeče zahteve:

- Sledite navodilom za montažo iz priloge
- Odsešavanje iz prostora zagotovite z primerno cevjo. Minimaliziranje dolžine cevi zagotavlja boljše delovanje.
- Zagotovite minimalno razdaljo od kuhalne površine ki je navedena v navodilih, ter tako zagotovite optimalno delovanje.
- odsesovalni kanal naj bo čim bližje napi
- v primeru nejasnosti se posvetujte z strokovnjakom.

Montaža je odvisna od načina delovanja.

### 5 Odsešavanje iz prostora

Je največkrat uporabljen princip in daje tudi najboljše rezultate in nizko porabo električne energije.

### 6 Re-cirkulacija zraka v prostoru

Na ta način iz zraka izvlečemo neželjene vonjave s pomočjo ogljenega filtra. ta način je primeren za prostore, kje ne moremo zagotoviti izsesavanja iz prostora in se izognemo termalni izgubi ob sesanju zraka iz prostora.

## SKRBITE ZA SVOJO NAPRAVO

ZA ZAGOTAVLJANJE DOLGE ŽIVLJENSKE DOBE IN PRAVILNO DELOVANJE NAPE. NEGLEDE NA VRSTO DELOVANJA ODSESAVANJE IZ PROSTORA ALI RE-CIRKULACIJO JE PRVO PRAVILO ZAGOTAVLJATI PRAVILNO UPORABO IN MENJAVO FILTRA.

Poznamo dve vrsti filtrov:

- Filter proti maščobi. Aluminijski ali filter iz nerjaveče pločevine proti maščobi je potrebo periodično očistiti s pomočjo vode in neagresivnimi detergenti, lahko tudi strojno vendar z nizko temperaturo vode. Papirnati filter proti maščobi pa menjamo vsak mesec oz. glede na potrebo.
- Ogljeni aktivni filter pa je v sami napravi kjer zrak re-cirkulira in tako odvaja vonjave iz zraka. ne pozabite ga zamenjati vsake 3-4 mesece. Filter z dolgo življenjsko dobo " long life filter" pa menjamo vsake 2 leti.

Pravilna menjava vam bo zagotavljala optimalno delovanje.

(\*) vedno preberite navodila za čiščenje filtrov v navodilih za uporabo

## HOW TO INSTALL IT

THE CORRECT OPERATION OF YOUR HOOD IS ONLY ENSURED IF IT IS INSTALLED BY SPECIALIZED TECHNICIANS. ASSEMBLY AND MAINTENANCE VARY ACCORDING TO THE TWO TYPES OF HOOD: DUCT-OUT AND RECIRCULATING.

Many elica models can operate in both versions. When installing your hood, bear in mind these simple basic rules:

- Follow all the steps shown in the instruction manual of the product;
- Connect the duct-out hood to the outside with a dedicated pipe: minimized length and absence of bends ensure better performance.
- Comply with the minimum distance from the cooktop specified in the manual, in order to avoid damaging working parts and ensuring people's safety;
- Make sure that the outlet che is close to the product for connection.
- In the event of difficulties, seek assistance from a reliable specialized technician;

Assembly varies according to the type of hood, duct-out or recirculating

### 5 Duct-out hood

The duct-out hood exhausts air to the outside. This is the most used type, because it ensures high performance, high capacity and low noise level.

### 6 Recirculating hood

The recirculating hood removes bad odours by means of a dedicated charcoal filter and reintroduces air into the kitchen. This type is suitable for rooms with no extractor duct, affords air saving and avoids thermal losses to the outside.

## TAKING CARE OF IT

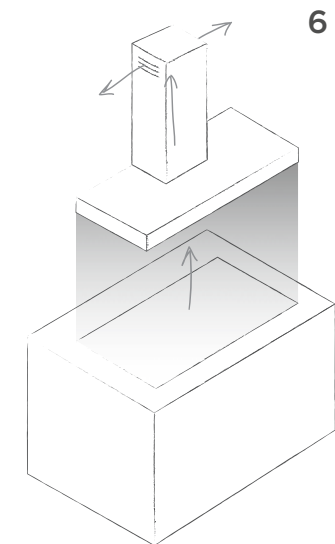
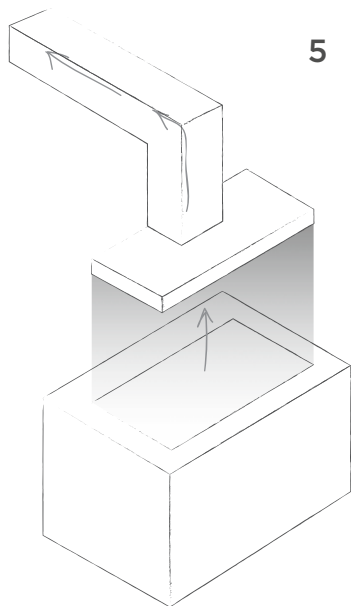
TO ENSURE THE LONG LIFE AND CORRECT OPERATION OF YOUR HOOD IN BOTH DUCT-OUT AND RECIRCULATING VERSIONS, THE FIRST STEP IS TO KEEP THE FILTERING SYSTEM IN GOOD CONDITION.

There are two types of filters:

- The grease filter protects your hood by trapping particles of grease. The aluminum or stainless steel grease filter requires periodic cleaning by hand with neutral detergent or in the dishwasher at low temperature (\*). The paper grease filter must be replaced every month depending on use.
- The active charcoal filter installed on recirculating hoods, traps odour particles of air. Remember to replace it every 3-4 months. Long life filters have a longer life: they must be replaced every two years.

Simple precautions will help you keep your hood in perfect condition.

(\*) Always follow the instructions for washing the filter on the manual of the product



# ENERGIJSKA NALEPKA ENERGY LABEL

Energijska nalepka, ki jo je uvedla Evropska komisija z uredbo (EU) št. 65/2014 in z uredbo (EU) št. 66/2014 o okoljsko primerni zasnovi, ki določa različne minimalne zahteve za energijsko učinkovitost, je ključnega pomena pri izbiri kuhinjske nape, ki najbolj ustreza vašim potrebam.

Na nalepki so takoj na voljo informacije o energijski porabi, pa tudi preprost in jasen pregled učinkovitosti delovanja naprave. Na spodnji sliki je primer energijske nalepke z razlago vsakega polja.

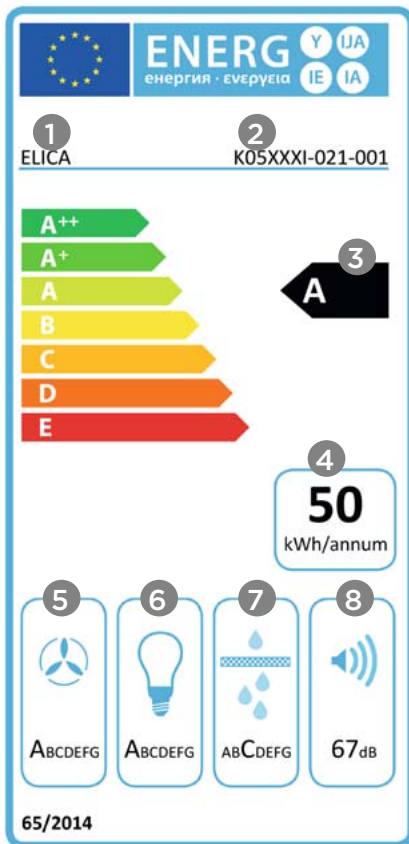
Na vsaki strani našega kataloga je naveden simbol, ki označuje energijski razred predstavljenega izdelka. Za podrobne informacije o vsaki različici izbranega modela, obiščite [www.elica.com](http://www.elica.com).

The Energy Label, introduced by the European Commission through Regulation (EU) No. 65/2014 and Ecodesign Regulation (EU) No. 66/2014 which defines the minimum efficiency requirements, constitutes a fundamental tool for choosing the most suitable extractor hood for the user's needs.

Indeed, the label provides instant information on energy consumption and the level of efficiency of the product's performances.

The image below shows an example of an energy label with the explanation of its various sections. Each page of our catalogue contains a symbol indicating the energy class of the product presented.

For obtaining detailed information on each version of the desired model, including all the parameters appearing on the energy label, visit our website at [www.elica.com](http://www.elica.com).



- 1 IME DOBAVITELJA ALI BLAGOVNA ZNAMKA.**  
SUPPLIER NAME OR BRAND.
- 2 IDENTIFIKACIJSKA OZNAKA MODELA.**  
MODEL IDENTIFICATION CODE.
- 3 RAZRED ENERGIJSKE UČINKOVITOSTI: A/A+/A++ OZNAČUJEJO NAJVEČJO UČINKOVITOST, G PA NAJMANJŠO.**  
ENERGY EFFICIENCY CLASS: A++ DENOTE THE MAXIMUM EFFICIENCY LEVELS, E THE MINIMUM LEVEL.
- 4 LETNA PORABA ENERGIJE, IZRAČUNANA NA PODLAGI STANDARDNE UPORABE.**  
ESTIMATED ANNUAL ENERGY CONSUMPTION FOR STANDARD USE.
- 5 RAZRED UČINKOVITOSTI PRETOKA ZRAKA: OZNAČUJE UČINKOVITOST NAPE PRI ODVAJANJU PARE, KI NASTANE PRI KUHANJU (A JE NAJVEČJA, G JE NAJMANJŠA UČINKOVITOST).**  
FLUID DYNAMIC EFFICIENCY CLASS: INDICATES THE EFFICIENCY WITH WHICH THE HOOD IS ABLE TO EXTRACT VAPOURS GENERATED THROUGH COOKING (A MAXIMUM - G MINIMUM EFFICIENCY).
- 6 RAZRED UČINKOVITOSTI OSVETLJEVANJA: OZNAČUJE UČINKOVITOST NAPE PRI OSVETLJEVANJU KUHALNE POVRŠINE (A JE NAJVEČJA, G JE NAJMANJŠA UČINKOVITOST).**  
LIGHTING EFFICIENCY CLASS: INDICATES THE EFFICIENCY WITH WHICH THE HOOD IS ABLE TO ILLUMINATE THE COOKER HOB (A MAXIMUM - G MINIMUM EFFICIENCY).
- 7 RAZRED UČINKOVITOSTI FILTRIRANJA MAŠČOB: OZNAČUJE UČINKOVITOST NAPE PRI FILTRIRANJU MAŠČOB, NASTALIH PRI KUHANJU (A JE NAJVEČJA, G JE NAJMANJŠA UČINKOVITOST).**  
GREASE FILTERING EFFICIENCY CLASS: INDICATES THE EFFICIENCY WITH WHICH THE HOOD FILTERS GREASE GENERATED THROUGH COOKING (A MAXIMUM - G MINIMUM EFFICIENCY).
- 8 RAVEN HRUPA: OZNAČUJE RAVEN HRUPA, KI GA ODDAJA IZDELEK PRI NORMALNI UPORABI.**  
NOISE LEVEL: INDICATES THE MAXIMUM NOISE LEVEL GENERATED BY THE PRODUCT DURING NORMAL USE.

---

# NOTES

---



Ekskluzivni zastopnik za Slovenijo:

**PMF d.o.o.**  
Letališka cesta 3c  
1000 Ljubljana

Tel: 01 513 51 64  
Fax: 01 513 52 08  
E-pošta: [elica@pmf.si](mailto:elica@pmf.si)  
[www.pmf.si](http://www.pmf.si)

