



SWITCH YOUR KITCHEN  
UPSIDE DOWN

PMF

 elica  
aria nuova



# WALL











HAIKU BLACK



HAIKU CONCRETE



HAIKU INOX



HAIKU WHITE



# HAIKU

DESIGN FABRIZIO CRISÀ

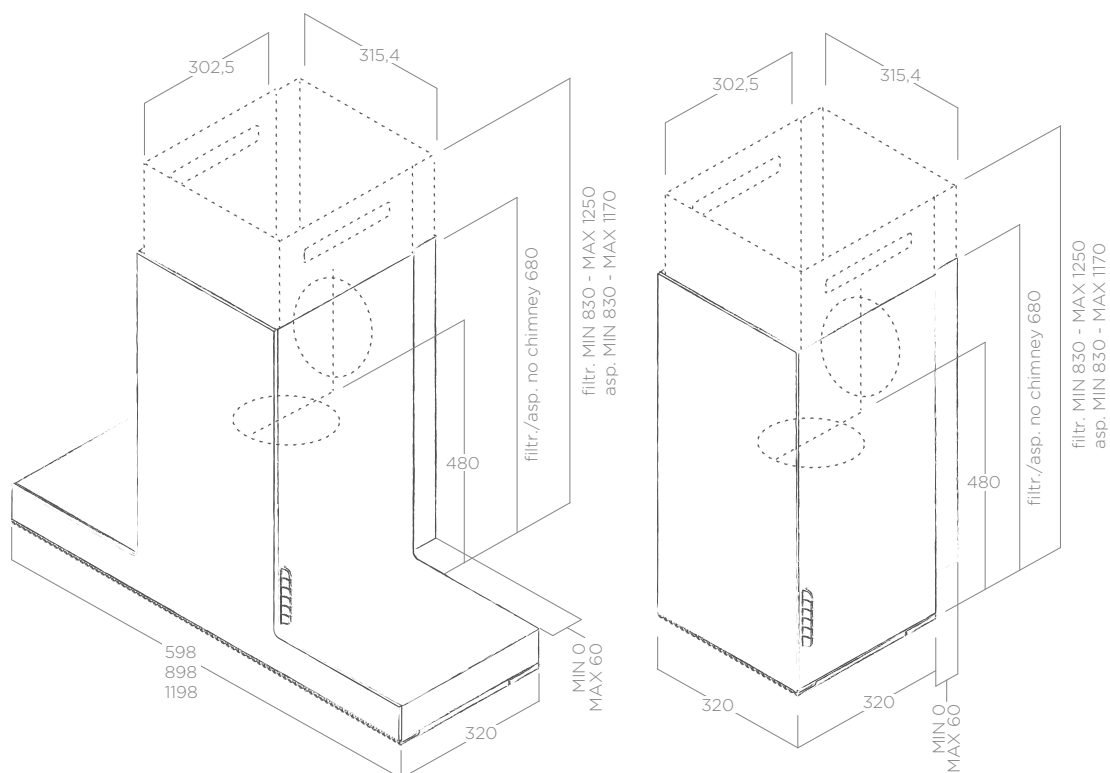
## AWARDS



SPECIAL MATERIAL



ENERGY CLASS



## TEHNIČNI PODATKI TECHNICAL FEATURES

Velikost Size	32 - 60 - 90 - 120 cm
Izvedba Version	Odzračevalna Duct-out
Videz Finish	Črno steklo, Bel Krión, Porcelanska lončevina s cementnim učinkom, Nerjavno jeklo Black glass, white Krión, cement effect stonewear, stainless steel

### OSVETLITEV LIGHTING

Tipi Type	Stripe Led 1x7 W
Intenzivna moč Intensity	281 LUX
Temperature Temperature	3500 K

### OBLIKA PERFORMANCE

Upravljanje Controls	3 Hitrosti + 2B na dotik 3S+2B Touch control
Pretok zraka Booster airflow	710 m <sup>3</sup> /h
Raven hrupa Noise level	52 db(A)
Popolna absorpcija Total absorption	260 W
Izhod Duct size	150 mm
Razred energetske učinkovitosti Energy class	A (A+/E)



Možnost inštalacije tako na našin sesanja ali filtriranja, brez uporabe zgornjega dimnika, višina ostane na 680 mm  
Possibility for installation in extraction or filtration mode, without the aid of the upper chimney, remaining within a height of 680 mm

Z aluminijastim mazalnim filtrom Grease aluminium Filter included

### DODATKI ACCESSORIES

Ogleni filter Charcoal Filter	CFC0141529
Filter s podaljšanim delovanjem Long Life Filter	CFC0141725



Nadaljnje informacije najdete na naslednji strani  
More details on next page

### MODELI MODELS

HAIKU BL/A/32	PRF0146263
HAIKU WH/A/32	PRF0146267
HAIKU CONCRETE/A/32	PRF0146258
HAIKU IX/A/32	PRF0146254
HAIKU BL/A/60	PRF0146264
HAIKU WH/A/60	PRF0146268
HAIKU CONCRETE/A/60	PRF0146259
HAIKU IX/A/60	PRF0146255
HAIKU BL/A/90	PRF0146265
HAIKU WH/A/90	PRF0146269
HAIKU CONCRETE/A/90	PRF0146260
HAIKU IX/A/90	PRF0146256
HAIKU BL/A/120	PRF0146266
HAIKU WH/A/120	PRF0146270
HAIKU CONCRETE/A/120	PRF0146261
HAIKU IX/A/120	PRF0146257



# HARMONIJA IN ENOSTAVNOST HARMONY AND SIMPLICITY



Aluminijaste rešetke z učinkom litega železa so pravi dizajnerski element v kuhinji in poskrbijo za razgiban videz nape. Z lahkoto se snamejo in so opremljene s sistemom za zaklepanje, ki preprečuje nenamerno sprostitev sistema. Izbrani materiali in gladke površine nape omogočajo hitro in učinkovito čiščenje.

The aesthetic linearity can be seen in the cast iron effect aluminium grilles, which strongly characterise the product. They are easy to remove and are equipped with a blocking system designed to avoid accidental falls.

The proposed materials and continuous surfaces allow fast and efficient cleaning, even after more intense cooking sessions.



## NATAČNO PO MERI NAREJENA NAPA

Zahvaljujoč različnim velikostim je Haiku idealen za skoraj vsako rešitev pri načrtovanju kuhinj. V izvedbi kot stenska napa, je Haiku na voljo v širinah 32 cm, 60 cm, 90 cm in 120 cm. V otočni izvedbi je Haiku na voljo v širinah 32 cm, 120 cm in 180 cm. Vse izvedbe so primerne za kroženje zraka ali odvod zraka na prosto.

## METRIC VISIONS

Thanks to the sizes in which it is proposed, Haiku is perfect for a range of design solutions. It is available in both a wall-mounted version (32, 60, 90 and 120 cm) and island version (32, 120, 180 cm), in both an extractor and filtration version.



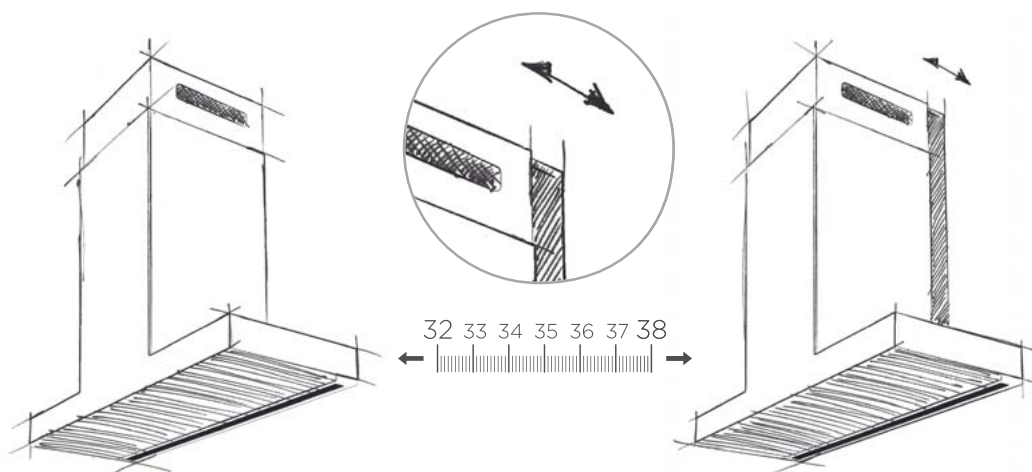
# SHIFT 3238 SYSTEM

## EDINI SISTEM S SPREMENLJIVO GLOBINO

Elica je prvo podjetje na tržišču, ki ponuja inovativen stenski nosilec SHIFT 3238. Položaj Haiku izberete tako, da se ujema z globino zgornjih omaric. S pomočjo nosilca SHIFT 3238 je možno globino prezračevalne nape pri nameščanju v kuhinjsko omarico nastaviti na milimeter natačno.

## THE ONLY SYSTEM WITH ADJUSTABLE DEPTH

Elica was the first in the market to propose an innovative wall-mounted bracket system in Haiku SHIFT 3238, thanks to which installation operations have been largely simplified. Haiku can be positioned either in line with the shelves or in such a way as to increase the work space on the hob. SHIFT 3238 allows the millimetric adjustment of the hood body depth. Limitations simply disappear and aesthetic solutions multiply, as do the advantages of cleaning operations.









# BIO

DESIGN FABRIZIO CRISÀ

AWARDS



reddot design award  
winner 2017



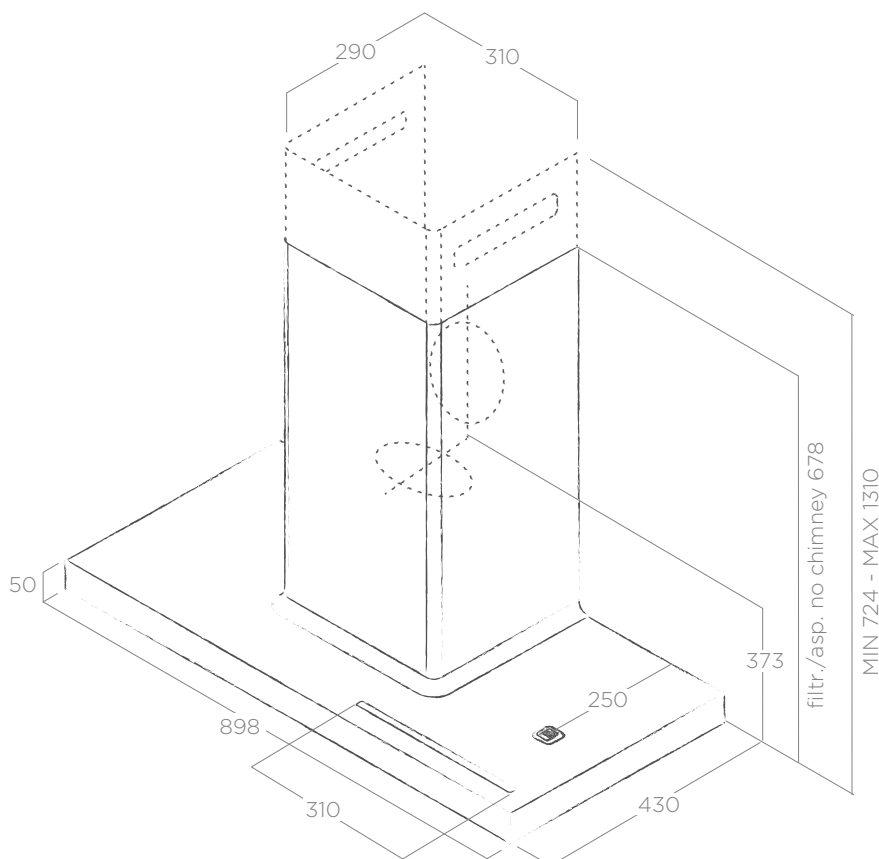
DESIGN  
AWARD  
2017



SPECIAL  
MATERIAL



ENERGY  
CLASS



TUNE WHITE



SMART  
INSTALLATION



REVOLUTION  
FILTER



CM 50



CM 65

## TEHNIČNI PODATKI TECHNICAL FEATURES

Velikost Size	90 cm
Izvedba Version	Odzračevalna Duct-out
Videz Finish	Naravni hrast + Bela, z učinkom mehkega dotika Natural oak + white soft touch effect

### OSVETLITEV LIGHTING

Tipi Type	Stripe Led 1x7 W
Intenzivna moč Intensity	141 LUX
Temperature Temperature	2700-6000 K

### OBLIKA PERFORMANCE

Upravljanje Controls	3 Hitrosti + 2B na dotik 3S+2B Touch control
Pretok zraka Booster airflow	757 m <sup>3</sup> /h
Raven hrupa Noise level	60 db(A)
Popolna absorpcija Total absorption	317 W
Izhod Duct size	150 mm
Razred energetske učinkovitosti Energy class	A+ (A++/E)

### DODATKI ACCESSORIES

Plošča s 60cm Shelf kit 60cm	KIT0120946
Bel daljinski upravljalnik White remote control	KIT0121468
Črni daljinski upravljalnik Black remote control	KIT0121469
Revolucijski filter Revolution filter	CFC0140091



Daljinski upravljalnik. Glejte stran 151 za razpoložljivi model.  
Kit remote control optional. See page 151 for available design.



Komplet polica na str.154  
Shelf kit on page 154



Nosilec in vtičnica USB za polnjenje tablice.  
Support and USB outlet to charge a table.



Možnost inštalacije tako na naših sesanjah ali filtriranju, brez uporabe zgornjega dimnika, višina ostane na 678 mm  
Possibility for installation in extraction or filtration mode, without the aid of the upper chimney, remaining within a height of 678 mm

### MODELI MODELS

Z aluminijastim mazalnim filtrom Grease aluminium Filter included

BIO WH/A 90 ROVERE

PRF0147266



# THIN

DESIGN FABRIZIO CRISÀ



SMART  
INSTALLATION



BACK  
ASPIRATION



LONG LIFE  
FILTER



CM 60



CM 65



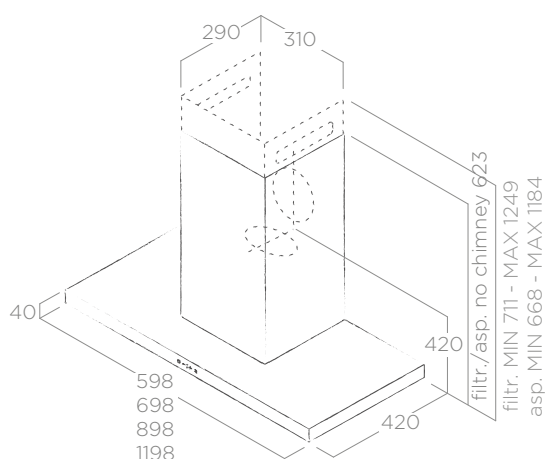
ENERGY  
CLASS  
A

## TEHNIČNI PODATKI TECHNICAL FEATURES

Velikost Size	60 - 70 - 90 - 120 cm
Izvedba Version	Odzračevalna Duct-out
Videz Finish	Nerjavno jeklo Stainless steel

### OSVETLITEV LIGHTING

Tipi Type	Stripe Led 1x7 W
Intenzivna moč Intensity	281 LUX
Temperature Temperature	3500 K



## OBLIKA PERFORMANCE

Upravljanje Controls	3 Hitrosti + 2B na dotik 3S+2B Touch Control
Pretok zraka Booster airflow	710 m <sup>3</sup> /h
Raven hrupa Noise level	54 db(A)
Popolna absorpcija Total absorption	317 W
Izhod Duct size	150 mm
Razred energetske učinkovitosti Energy class	A (A++/E)

Z aluminijastim mazalnim filtrom Grease aluminium Filter included

## DODATKI ACCESSORIES

Ogleni filter Charcoal Filter	CFC0141529
Filter s podaljšanim delovanjem Long Life Filter	CFC0141725

## MODELI MODELS

THIN IX/A/60	PRF0144970
THIN IX/A/70	PRF0144971
THIN IX/A/90	PRF0144969
THIN IX/A/120	PRF0144972



Možnost inštalacije tako na naših sesanjah ali filtriranja, brez uporabe zgornjega dimnika, višina ostane na 623 mm  
Possibility for installation in extraction or filtration mode, without the aid of the upper chimney, remaining within a height of 623 mm



# METEORITE

DESIGN FABRIZIO CRISÀ

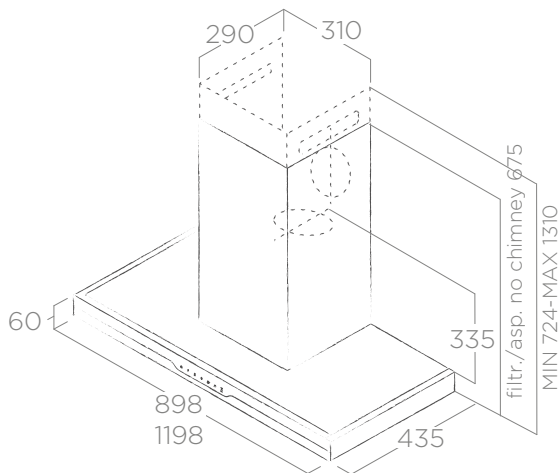


## TEHNIČNI PODATKI TECHNICAL FEATURES

Velikost Size	90 - 120 cm
Izvedba Version	Odzračevalna Duct-out
Videz Finish	Nerjavno jeklo + Črno steklo Stainless steel + black glass

### OSVETLITEV LIGHTING

Tipi Type	Stripe Led 1x7 W
Intenzivna moč Intensity	141 LUX
Temperature Temperature	2700-6000 K



## OBLIKA PERFORMANCE

Upravljanje Controls	3 Hitrosti + 2B na dotik 3S+2B Touch Control
Pretok zraka Booster airflow	757 m <sup>3</sup> /h
Raven hrupa Noise level	59 db(A)
Popolna absorpcija Total absorption	317 W
Izhod Duct size	150 mm
Razred energetske učinkovitosti Energy class	A (A++/E)
Z aluminijastim mazalnim filtrom Grease aluminium Filter included	

## DODATKI ACCESSORIES

Revolucijski filter Revolution filter	CFC0140091
Bel daljinski upravljalnik White remote control	KIT0121468
Črni daljinski upravljalnik Black remote control	KIT0121469

## MODELI MODELS

METEORITE IX/A/90	PRF0147272
METEORITE IX/A/120	PRF0147273



Daljinski upravljalnik. Glejte stran 151 za razpoložljivi model.  
Kit remote control optional. See page 151 for available design.



Možnost inštalacije tako na našin sesanja ali filtriranja, brez uporabe zgornjega dimnika, višina ostane na 675 mm  
Possibility for installation in extraction or filtration mode, without the aid of the upper chimney, remaining within a height of 675 mm







PELTROX



WHITE



IVORY



UMBER



COPPER



CAST IRON

# SWEET

DESIGN FABRIZIO CRISÀ

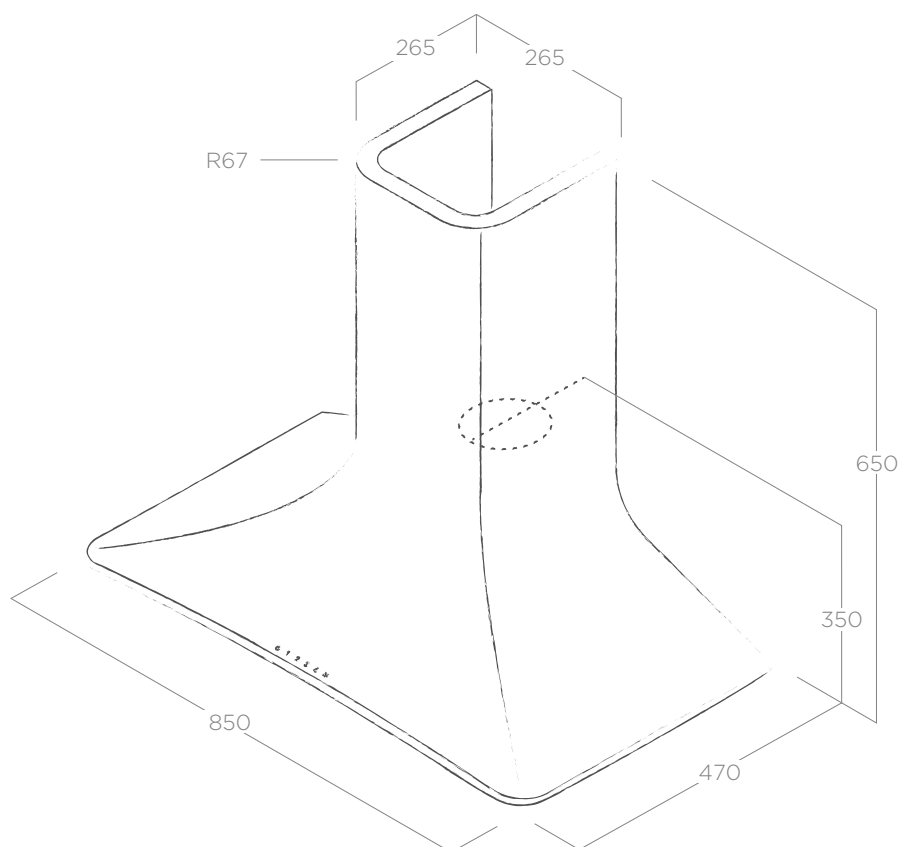
## AWARDS



SPECIAL MATERIAL



ENERGY CLASS



## TEHNIČNI PODATKI TECHNICAL FEATURES

Velikost Size	85 cm
Izvedba Version	Obtočna izvedba Filtering
Videz Finish	Verniciature: bianco opaco, tortora opaco, avorio, rame opaco, peltrox, litega železa Painted: matt white, matt umber, ivory, matt copper, peltrox, cast iron

### OSVETLITEV LIGHTING

Tipi Type	Stripe Led 1x7 W
Intenzivna moč Intensity	203 LUX
Temperature Temperature	4000 K

### OBLIKA PERFORMANCE

Upravljanje Controls	3 Hitrosti + B na dotik 3S+B Touch Control
Pretok zraka Booster airflow	625 m <sup>3</sup> /h
Raven hrupa Noise level	65 db(A)
Popolna absorpcija Total absorption	262 W
Izhod Duct size	150 mm
Razred energetske učinkovitosti Energy class	B (A**/E)

Z aluminijastim mazalnim filtrom Grease aluminium filter included  
Z ogljenim filtrom s podaljšanim delovanjem Long Life filter included

### DODATKI ACCESSORIES

Filter s podaljšanim delovanjem Long Life Filter	CFC0140426
Kit camino Avorio Chimney kit ivory	KIT0049583
Kit camino Tortora Chimney kit umber	KIT0049581
Kit camino Bianco Chimney kit white	KIT0049580
Kit camino Ghisa Chimney kit cast iron	KIT0121142
Kit camino Rame Chimney kit copper	KIT0121147
Kit camino Peltrox Chimney kit peltrox	KIT0121146



Glej stran 156 za posebne izvedbe dekorativnih dimnikov  
Special chimney kit on page 156

### MODELI MODELS

SWEET IVORY F/85	PRF0043033
SWEET UMBER F/85	PRF0043031
SWEET WHITE F/85	PRF0043030
SWEET CAST IRON/F/85	PRF0120702
SWEET COPPER/F/85	PRF0120672
SWEET PELTROX/F/85	PRF0120689

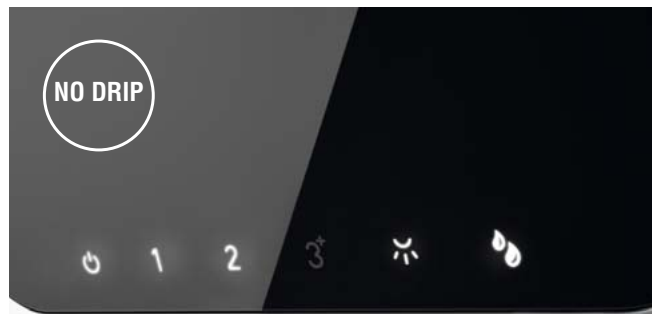




NO DRIP

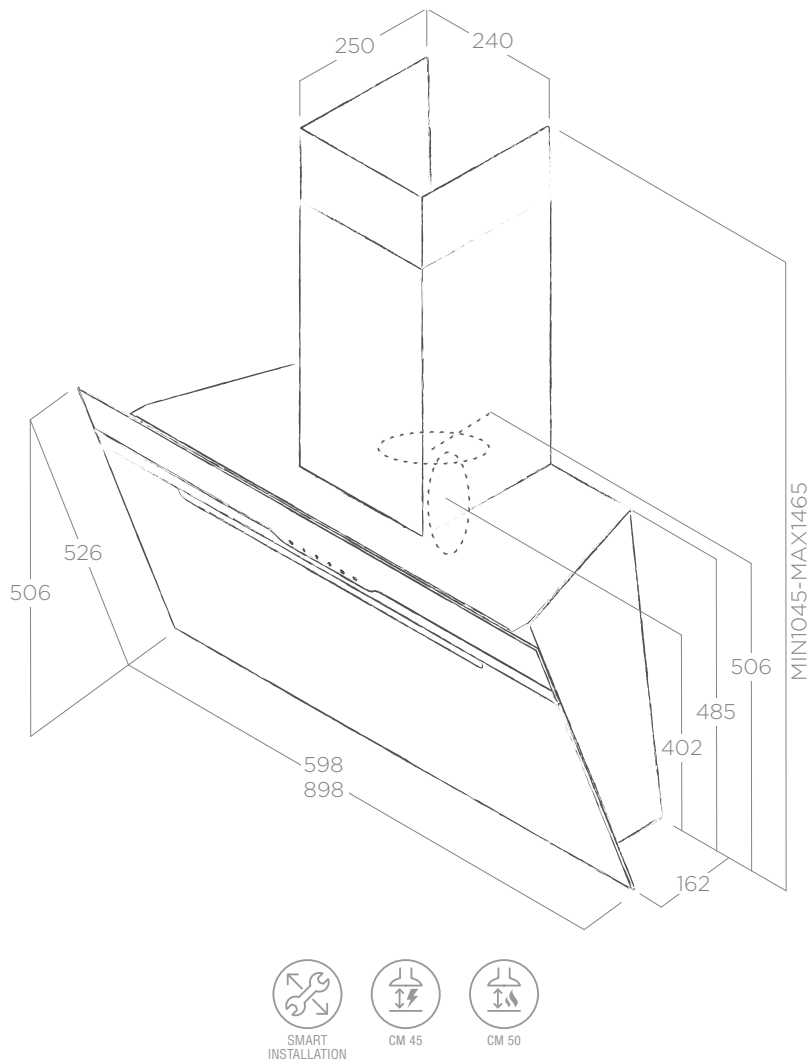


NO DRIP



# MAJESTIC

DESIGN FABRIZIO CRISÀ



BACK  
ASPIRATION



ENERGY  
CLASS

## TEHNIČNI PODATKI TECHNICAL FEATURES

Velikost Size	60 - 90 cm
Izvedba Version	Odzračevalna Duct-out
Videz Finish	Nerjavno jeklo + Črno steklo, Nerjavno jeklo + Belo steklo Stainless steel + black glass, Stainless steel + white glass

### OSVELLITEV LIGHTING

Tipi Type	Led 2x2,5W - Stripe Led 1x7 W (No Drip)
Intenzivna moč Intensity	145 - 141 (NO DRIP) LUX
Temperature Temperature	3500 K

### OBLIKA PERFORMANCE

Upravljanje Controls	3 Hitrosti + B na dotik 3S+B Touch Control
Pretok zraka Booster airflow	690 m <sup>3</sup> /h
Raven hrupa Noise level	65 db(A)
Popolna absorbcija Total absorption	255W - 300W (No Drip)
Izhod Duct size	150 mm
Razred energetske učinkovitosti Energy class	B (A+/E)
Z aluminijastim mazalnim filtrom Grease aluminium filter included	

### DODATKI ACCESSORIES

Ogleni filter Charcoal Filter	CFC0140343
-------------------------------	------------



**NO DRIP:** The glass heats up allowing for vapor condensation to gather in the rear side, where it is collected into a specific drawer.  
**NO DRIP:** The glass heats up allowing for vapor condensation to gather in the rear side, where it is collected into a specific drawer.

### MODELI MODELS

MAJESTIC BL/A/60	PRF0117381A
MAJESTIC BL/A/90	PRF0116967A
MAJESTIC WH/A/60	PRF0124235A
MAJESTIC WH/A/90	PRF0124236A
MAJESTIC NO DRIP BL/A/60	PRF0147731
MAJESTIC NO DRIP BL/A/90	PRF0147732



# NUAGE

DESIGN FABRIZIO CRISÀ

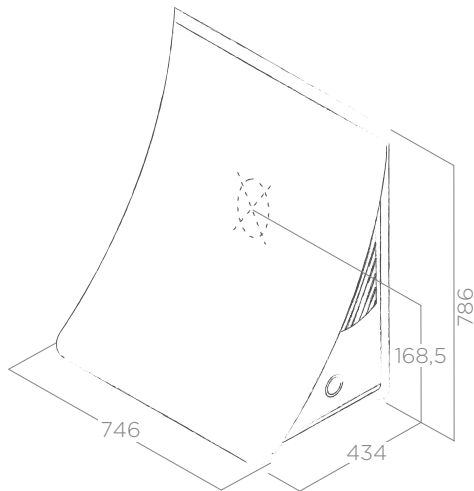


## TEHNIČNI PODATKI TECHNICAL FEATURES

Velikost Size	75 cm
Izvedba Version	Obtočna izvedba Filtering
Videz Finish	Nerjavno jeklo + ki jo lahko barvamo Stainless steel + paintable white

## OSVETLITEV LIGHTING

Tipi Type	Stripe Led 1x7 W
Intenzivna moč Intensity	147 LUX
Temperature Temperature	3500 K



## OBLIKA PERFORMANCE

Upravljanje Controls	3 Hitrosti + B elektronsko vrtljiv gumb 3S+B Electronic rotary
Pretok zraka Booster airflow	580 m <sup>3</sup> /h
Raven hrupa Noise level	62 db(A)
Popolna absorpcija Total absorption	227 W
Izhod Duct size	150 mm
Razred energetske učinkovitosti Energy class	A (A++/E)
Z aluminijastim mazalnim filtrom Grease aluminium filter included	
Revolucijski filter vključen Revolution Filter included	

## DODATKI ACCESSORIES

Ogleni filter Charcoal Filter	CFC0140343
-------------------------------	------------



Unique model that can be customized according to the customer's needs.  
Unique model that can be customized according to the customer's needs.

## MODELI MODELS

NUAGE PAINTABLE/F/75	PRF0098374
----------------------	------------

## AWARDS



reddot design award  
winner 2016



Belo nerjavno jeklo, ki ga lahko prebarvamo  
Paintable white steel





BACK  
ASPIRATION



SMART  
INSTALLATION



CM 45



CM 45



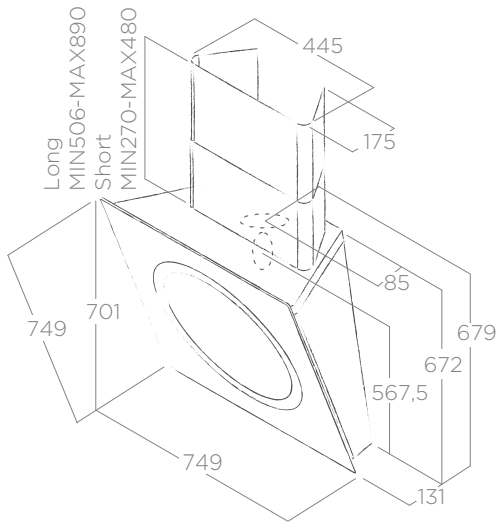
ENERGY  
CLASS  
A

## TEHNIČNI PODATKI TECHNICAL FEATURES

Velikost Size	75 cm
Izvedba Version	Obtočna izvedba Filtering
Videz Finish	Belo steklo, Črno steklo White glass, Black glass

### OSVETLITEV LIGHTING

Tipi Type	Stripe Led 1x7 W
Intenzivna moč Intensity	119 LUX
Temperature Temperature	3500 K



## OBLIKA PERFORMANCE

Upravljanje Controls	3 Hitrosti + B na dotik 3S+B Touch Control
Pretok zraka Booster airflow	665 m <sup>3</sup> /h
Raven hrupa Noise level	60 db(A)
Popolna absorpcija Total absorption	247 W
Izhod Duct size	150 mm
Razred energetske učinkovitosti Energy class	A (A++/E)

Z aluminijastim mazalnim filtrom Grease aluminium filter included  
Ogleni filter vključen Charcoal filter included

### DODATKI ACCESSORIES

Ogleni filter Charcoal Filter	CFC0140343
Kratek dimnik kit Short Chimney kit	KIT0010700
Dolg dimnik kit Long Chimney kit	KIT0010439



Ob aktivaciji se center obroča avtomatsko premika navznoter kar omogoča območje sesanja.

Upon activation, the center ring electronically moves inwards, allowing perimeter suction.



Glej stran 156 za posebne izvedbe dekorativnih dimnikov  
Special chimney kit on page 156

### MODELI MODELS

OM AIR WH/F/75	PRF0094734
OM AIR BL/F/75	PRF0094744





# MINI OM

ELICA DESIGN CENTER



BACK  
ASPIRATION



LONG LIFE  
FILTER



CM 40



CM 50



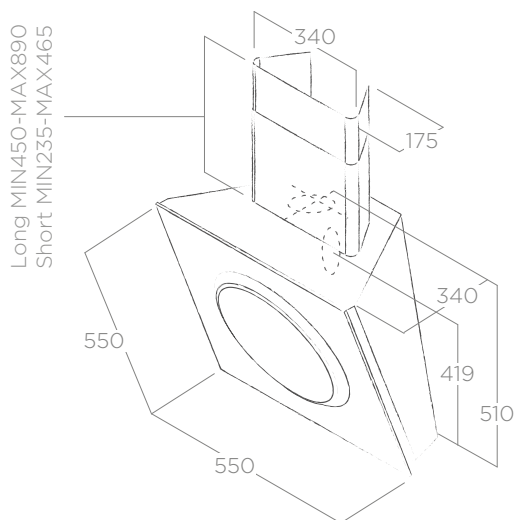
ENERGY  
CLASS

## TEHNIČNI PODATKI TECHNICAL FEATURES

Velikost Size	55 cm
Izvedba Version	Obtočna izvedba Filtering
Videz Finish	Belo steklo, Črno steklo White glass, black glass

### OSVETLITEV LIGHTING

Tipi Type	Led 2x2,5 W
Intenzivna moč Intensity	145 LUX
Temperature Temperature	4000 K



## OBLIKA PERFORMANCE

Upravljanje Controls	3 Hitrosti soft light gumbi 3S Soft Light push button
Maksimalni pretok zraka Max airflow	600 m <sup>3</sup> /h
Raven hrupa Noise level	63 db(A)
Popolna absorpcija Total absorption	225 W
Izhod Duct size	150 mm
Razred energetske učinkovitosti Energy class	A (A <sup>+</sup> /E)

Z aluminijastim mazalnim filtrom Grease aluminium Filter included  
Z ogljenim filtrom s podaljšanim delovanjem Long Life filter included

## DODATKI ACCESSORIES

Filter s podaljšanim delovanjem Long Life Filter	CFC0140423
Kratek dimnik kit Short Chimney kit	KIT01797
Dolg dimnik kit Long Chimney kit	KIT01513

## MODELI MODELS

MINI OM BL/F/55	61614583A
MINI OM WH/F/55	61614584A



Glej stran 156 za posebne izvedbe dekorativnih dimnikov  
Special chimney kit on page 156



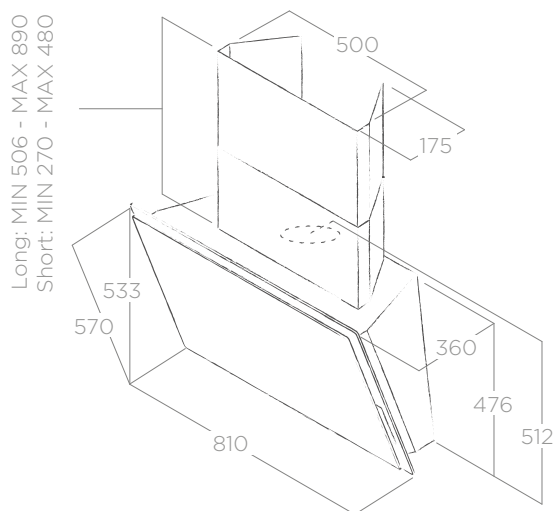


## TEHNIČNI PODATKI TECHNICAL FEATURES

Velikost Size	80 cm
Izvedba Version	Obtočna izvedba Filtering
Videz Finish	Belo steklo, Črno steklo White glass, black glass

### OSVETLITEV LIGHTING

Tipi Type	Stripe Led 1x7 W
Intenzivna moč Intensity	147 LUX
Temperature Temperature	3500 K



## OBLIKA PERFORMANCE

Upravljanje Controls	3S + B Infrared Touch 3S+I Infrared Touch
Pretok zraka Booster airflow	665 m <sup>3</sup> /h
Raven hrupa Noise level	62 db(A)
Popolna absorpcija Total absorption	247 W
Izhod Duct size	150 mm
Razred energetske učinkovitosti Energy class	A (A <sup>++</sup> /E)

Z aluminijastim mazalnim filtrom Grease aluminium Filter included  
Ogleni filter vključen Charcoal filter included

## DODATKI ACCESSORIES

Ogleni filter Charcoal Filter	CFC0140343
Kratek dimnik kit Short Chimney kit	KIT0010704
Dolg dimnik kit Long Chimney kit	KIT0010703

## MODELI MODELS

ELLE BL/F/80	PRF0094251
ELLE WH/F/80	PRF0097706



Glej stran 156 za posebne izvedbe dekorativnih dimnikov  
Special chimney kit on page 156







Ekskluzivni zastopnik za Slovenijo:

**PMF d.o.o.**  
Letališka cesta 3c  
1000 Ljubljana

Tel: 01 513 51 64  
Fax: 01 513 52 08  
E-pošta: [elica@pmf.si](mailto:elica@pmf.si)  
[www.pmf.si](http://www.pmf.si)

