



SWITCH YOUR KITCHEN  
UPSIDE DOWN

PMF

 elica  
aria nuova



NIKOLA  
TESLA



# NIKOLATESLA SWITCH

DESIGN FABRIZIO CRISÀ

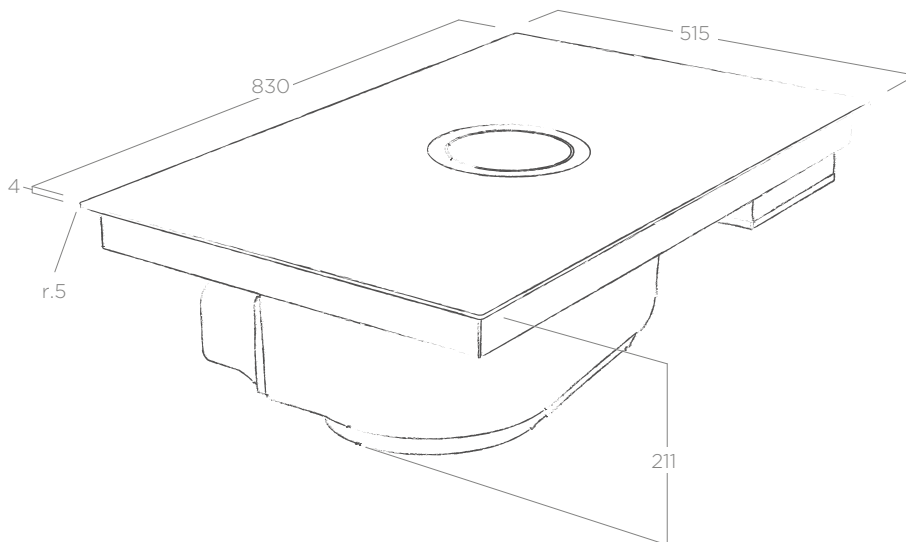
## AWARDS



AIRMATIC



ENERGY CLASS



READY TO CONNECT



BRIDGE ZONES



TEMPERATURE MANAGER



STOP & GO



POT DETECTOR



REVOLUTION FILTER

## TEHNIČNI PODATKI TECHNICAL FEATURES

Velikost Size	83 x 51x 21 cm
Izvedba Version	Odzračevalna/Obtočna izvedba Duct-out/Recycling
Videz Finish	Črno steklo, Belo steklo Black glass, white glass

### INDUKCIJSKA KUHALNA PLOŠČA INDUCTION HOB

Poraba Absorption	7,4 KW
Frekvenca Frequency	50 Hz
Volt Voltage	220 - 240 V
Število območij zone number	4 (2,1 - 3 kW) - 210x190 mm
Bridge zone Bridge zone	2

### ASPIRACIJA SISTEM ASPIRATION SYSTEM

	Odzračevalna/ Duct-out	Obtočna izvedba/ Recycling
Upravljanje Controls	8S+2B Direct Slider 8S+2B Direct Slider	8S+2B Direct Slider 8S+2B Direct Slider
Pretok zraka Booster airflow	620 m³/h	536 m³/h
Hitrost sesanja Suction speed	5,1 m/s	5,1 m/s
Raven hrupa Noise level	60 db(A)	64 db(A)
Popolna absorpcija Total absorption	160 W	160 W
Izhod Duct size	150 mm	150 mm
Razred energetske učinkovitosti Energy class	A+ (A**/E)	---

Z aluminijastim mazalnim filtrom Grease aluminium Filter included  
Keramike filter vključen Ceramic filter included \*

### FUNKCIJE FUNCTIONS

POWER LIMITATION (3,1 KW - 4,5 KW - 7,4 KW)  
TIMER  
EGG TIMER  
CHILD LOCK & SAFE ACTIVATION  
RESIDUAL HEAT INDICATOR  
AUTOMATIC HEAT UP  
SAFETY SHUT DOWN



Model ne zahteva obveznega energetskega certificiranja. (\*)  
Model not subject to compulsory energy certification.



Focus generale Nikolatesla a pag. 28  
General focus on NikolaTesla on page 28

### DODATKI ACCESSORIES

Keramike filter Ceramic filter	KIT0120952
-----------------------------------	------------

### MODELI MODELS

NIKOLATESLA SWITCH BL/F/83 (*)	PRF0146210
NIKOLATESLA SWITCH BL/A/83	PRF0146212
NIKOLATESLA SWITCH WH/F/83 (*)	PRF0146213
NIKOLATESLA SWITCH WH/A/83	PRF0146216



# NIKOLATESLA UPSIDE

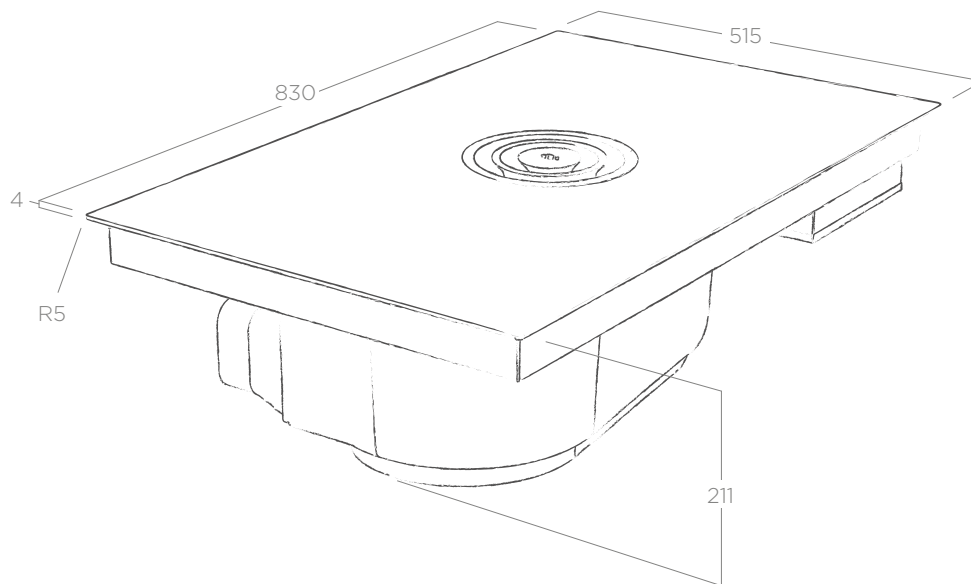
DESIGN FABRIZIO CRISÀ



AIRMATIC



ENERGY CLASS



READY TO CONNECT



BRIDGE ZONES



TEMPERATURE MANAGER



STOP & GO



POT DETECTOR



REVOLUTION FILTER

## TEHNIČNI PODATKI TECHNICAL FEATURES

Velikost Size	83 x 51x 21 cm
Izvedba Version	Odzračevalna/Obtočna izvedba Duct-out/Recycling
Videz Finish	Črno steklo Black glass

### INDUKCIJSKA KUHALNA PLOŠČA INDUCTION HOB

Poraba Absorption	7,4 KW
Frekvenca Frequency	50 Hz
Volt Voltage	220 - 240 V
Število območij zone number	4 (2,1 - 3 kW) - 210x190 mm
Bridge zone Bridge zone	2

### ASPIRACIJA SISTEM ASPIRATION SYSTEM

	Odzračevalna/ Duct-out	Obtočna izvedba/ Recycling
Upravljanje Controls	8S+2B Direct Slider 8S+2B Direct Slider	8S+2B Direct Slider 8S+2B Direct Slider
Pretok zraka Booster airflow	560 m <sup>3</sup> /h	510 m <sup>3</sup> /h
Hitrost sesanja Suction speed	8,5 m/s	8,5 m/s
Raven hrupa Noise level	66 db(A)	64 db(A)
Popolna absorbcija Total absorption	160 W	160 W
Izhod Duct size	150 mm	150 mm
Razred energetske učinkovitosti Energy class	A (A**/E)	---

### FUNKCIJE FUNCTIONS

POWER LIMITATION (3,1 KW - 4,5 KW - 7,4 KW)  
TIMER  
EGG TIMER  
CHILD LOCK & SAFE ACTIVATION  
RESIDUAL HEAT INDICATOR  
AUTOMATIC HEAT UP  
SAFETY SHUT DOWN

Z aluminijastim mazalnim filtrom Grease aluminium Filter included  
Keramike filter vključen Ceramic filter included \*



Model ne zahteva obveznega energetskega certificiranja. (\*)  
Model not subject to compulsory energy certification.



Focus generale NikolaTesla a pag. 28  
General focus on NikolaTesla on page 28

### DODATKI ACCESSORIES

Keramike filter Ceramic filter	KIT0120952
-----------------------------------	------------

### MODELI MODELS

NIKOLATESLA UPSIDE BL/F/83 (*)	PRF0146217
NIKOLATESLA UPSIDE BL/A/83	PRF0146218



**Lettera 22**, portable typewriter, *Marcello Nizzoli*, OLIVETTI, 1954 | **Doney**, television set, *Marco Zanuso e Richard Sapper*, BRIONVEGA, 1962  
**Sciangaì**, clothes hanger, *Jonathan De Pas, Donato D'Urbino, Paolo Lomazzi*, ZANOTTA, 1979 | **9090**, espresso coffee maker, *Richard Sapper*,  
ALESSI, 1979 | **Research for manufacture of Neapolitan coffee maker**, *Riccardo Dalisi*, ALESSI, 1981 | **Tolomeo**, series of lamps, *Michele De Lucchi*  
*e Giancarlo Fassina*, ARTEMIDE, 1989 | **Bubble Club**, sofa and armchair, *Philippe Starck*, KARTELL, 2001 | **Ripples**, bench, *Toyo Ito*, HORM, 2004  
**Muu**, seats collection, *Harri Koskinen*, MONTINA, 2004 | **Ptolomeo**, bookcase, *Bruno Rainaldi*, MOCODIVISIONE MINOTTI ITALIA TRADING, 2004



# NIKOLA TESLA ONE

DESIGN FABRIZIO CRISÀ



Compasso d'Oro 2018

**Elica**, LED table lamp, *Brian Sironi*, MARTINELLI LUCE, 2011 | **Fiat 500**, car, *Fiat Group Automobiles Design*, FIAT, 2011 | **Nuur**, tables system, *Simon Pengelly*, ARPER, 2011 | **Pasta Pot**, pot for cooking pasta, *Patrick Jouin per Alain Ducasse*, ALESSI, 2011 | **Steelwood Chair**, chair, *Ronan & Erwan Bouroullec*, MAGIS, 2011 | **Yale**, system of sofas and armchairs, *Jean-Marie Massaud*, MDF ITALIA, 2011 | **Counterbalance**, wall lamp, *Daniel Rybakken*, LUCEPLAN, 2014 | **Sampei**, floor lamp, *Davide Groppi Enzo Calabrese*, DAVIDE GROPPI, 2014 | **OK**, lamp, *Konstantin Grcic*, FLOS, 2016 | **Nikola Tesla**, hob with integrated ventilation, *Fabrizio Crisà*, ELICA, 2018





NIKOLATESLA ONE MIX



NIKOLATESLA ONE HP

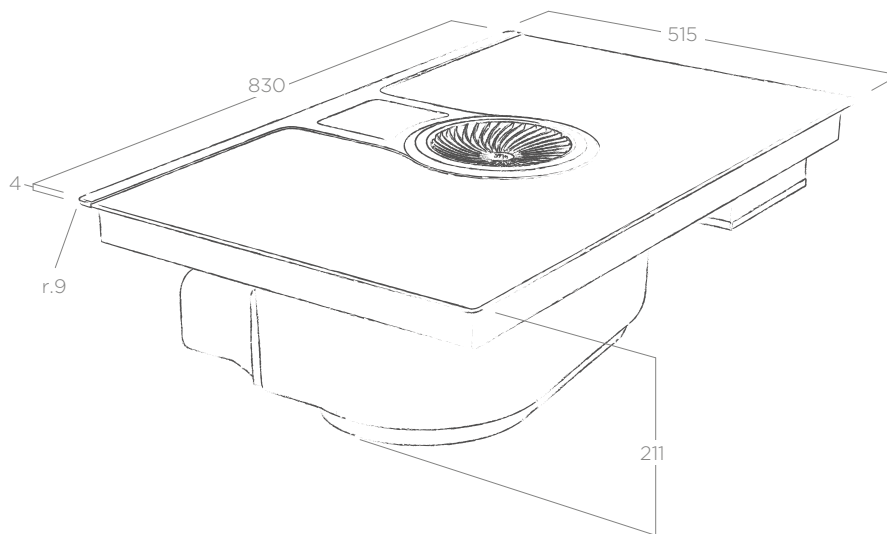
# NIKOLATESLA ONE

DESIGN FABRIZIO CRISÀ

## AWARDS



reddot design award  
winner 2017



AUTO  
CAPTURE



ENERGY  
CLASS



READY  
TO CONNECT



BRIDGE  
ZONES



TEMPERATURE  
MANAGER



STOP & GO



POT  
DETECTOR



REVOLUTION  
FILTER

## TEHNIČNI PODATKI TECHNICAL FEATURES

Velikost Size	83 x 51x 21 cm
Izvedba Version	Odzračevalna/Obtočna izvedba Duct-out/Recycling
Videz Finish	Črno steklo Black glass

### INDUKCIJSKA KUHALNA PLOŠČA INDUCTION HOB

Poraba Absorption	7,4 KW
Frekvenca Frequency	50 - 60 Hz
Volt Voltage	220 - 240 V
Število območij Zone number ONE HP	4 (2,1-3,7 kW) - 180x200 mm
Število območij Zone number ONE	1 (2,1 - 3 kW) - 180x200 mm 1 (1,6 - 1,85 kW) - 180x200 mm 1 (2,3 - 3 kW) - Ø 200 mm 1 (1,4 kW) - Ø 160 mm
Bridge zone Bridge zone	2 (HP) - 1 (MIX)

### FUNKCIJE FUNCTIONS

POWER LIMITATION ONE HP (4,5 KW - 7,4 KW)  
POWER LIMITATION ONE (3,1 KW - 4,5 KW - 7,4 KW)  
TIMER  
EGG TIMER  
CHILD LOCK & SAFE ACTIVATION  
RESIDUAL HEAT INDICATOR  
AUTOMATIC HEAT UP - samo število ONE HP only ONE HP version  
SAFETY SHUT DOWN

### ASPIRACIJA SISTEM ASPIRATION SYSTEM

	Odzračevalna/ Duct-out	Obtočna izvedba/ Recycling
Upravljanje Controls ONE HP	9S+B Direct Slider	9S+B Direct Slider
Upravljanje Controls ONE	Touch Control 9V+I	Touch Control 9V+I
Pretok zraka Booster airflow	647 m³/h	536 m³/h
Hitrost sesanja Suction speed	5,1 m/s	5,1 m/s
Raven hrupa Noise level	59 db(A)	65 db(A)
Popolna absorpcija Total absorption	160 W	160 W
Izhod Duct size	150 mm	150 mm
Razred energetske učinkovitosti Energy class	A+ (A**/E)	---

Z aluminijastim mazalnim filtrom Grease aluminium Filter included  
Keramični filter vključen Ceramic filter included \*



Focus generale NikolaTesla a pag. 28  
General focus on NikolaTesla on page 28



Model ne zahteva obveznega energetskega certificiranja. (\*)  
Model not subject to compulsory energy certification.

### DODATKI ACCESSORIES

Keramični filter Ceramic filter	KIT0120952
------------------------------------	------------

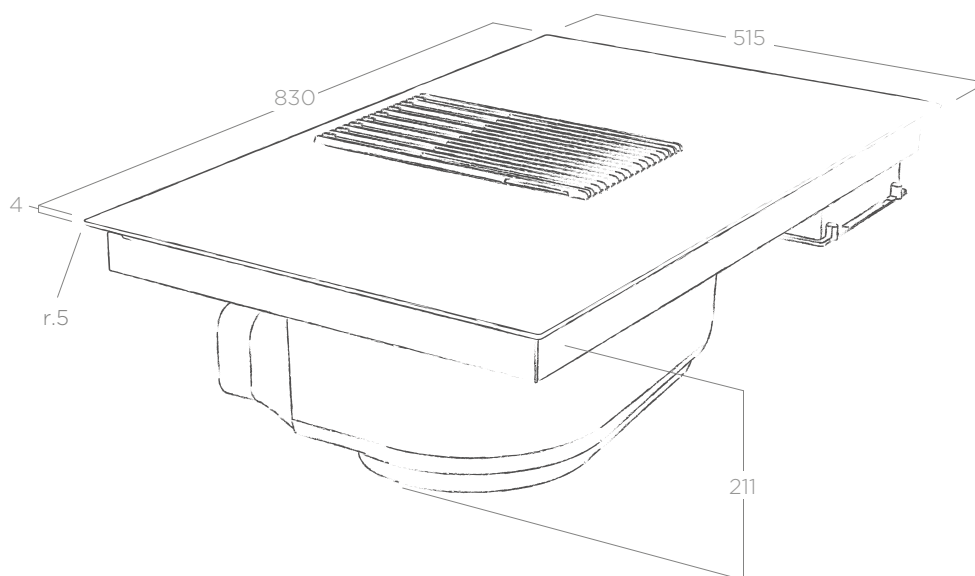
### MODELI MODELS

NIKOLATESLA HP BL/A/83	PRF0120975
NIKOLATESLA HP BL/F/83 (*)	PRF0120976
NIKOLATESLA BL/A/83	PRF0120977
NIKOLATESLA BL/F/83 (*)	PRF0120978



# NIKOLATESLA LIBRA

DESIGN FABRIZIO CRISÀ



AUTO CAPTURE



ENERGY CLASS



BRIDGE ZONES



TEMPERATURE MANAGER



STOP & GO



POT DETECTOR



REVOLUTION FILTER

## TEHNIČNI PODATKI TECHNICAL FEATURES

Velikost Size	83 x 51 x 21 cm
Izvedba Version	Odračevalna/Obtočna izvedba Duct-out/Recycling
Videz Finish	Črno steklo + litega železa, Belo steklo + litega železa Black glass + cast iron, White glass + cast iron

### INDUKCIJSKA KUHALNA PLOŠČA INDUCTION HOB

Poraba Absorption	7,4 KW
Frekvenca Frequency	50 Hz
Volt Voltage	220 - 240 V
Število območij zone number	2 (1,6 - 1,85 kW) - 210x190 mm 2 (2,1 - 3 kW) - 210x190 mm
Bridge zone Bridge zone	2

### ASPIRACIJA SISTEM ASPIRATION SYSTEM

	Odračevalna/ Duct-out	Obtočna izvedba/ Recycling
Upravljanje Controls	3 Hitrosti + 2B na dotik 3S+2B Touch control	3 Hitrosti + 2B na dotik 3S+2B Touch control
Pretok zraka Booster airflow	610 m <sup>3</sup> /h	422 m <sup>3</sup> /h
Raven hrupa Noise level	61 db(A)	71 db(A)
Hitrost sesanja Suction speed	5,1 m/s	5,1 m/s
Popolna absorpcija Total absorption	310 W	310 W
Izhod Duct size	150 mm	150 mm
Razred energetske učinkovitosti Energy class	A (A**/E)	---

Z aluminijastim mazalnim filtrom Grease aluminium Filter included  
Filter z ogljenimi vlakni vključen Charcoal fibre filter included \*

### FUNKCIJE FUNCTIONS

POWER LIMITATION (3,1 KW - 4,5 KW - 7,4 KW)  
TIMER  
EGG TIMER  
CHILD LOCK & SAFE ACTIVATION  
RESIDUAL HEAT INDICATOR  
AUTOMATIC HEAT UP  
SAFETY SHUT DOWN



Model ne zahteva obveznega energetskega certificiranja. (\*)  
Model not subject to compulsory energy certification.



Focus generale Nikolatesla a pag. 28  
General focus on NikolaTesla on page 28

### DODATKI ACCESSORIES

Filter z ogljenimi vlakni Charcoal fibre filter	KIT0147855
Keramike filter Ceramic filter	KIT0120952

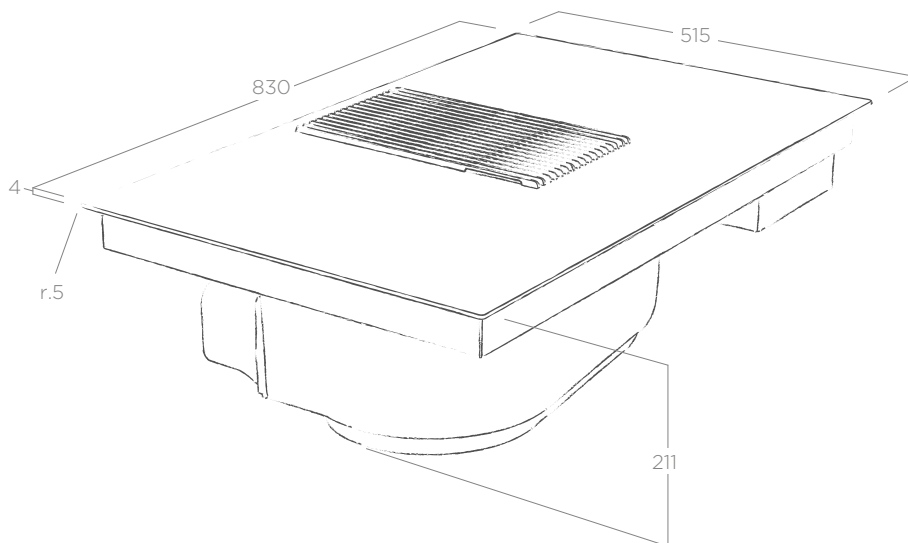
### MODELI MODELS

NIKOLATESLA LIBRA BL/A/83	PRF0147744
NIKOLATESLA LIBRA BL/F/83 (*)	PRF0147745
NIKOLATESLA LIBRA WH/A/83	PRF0147774
NIKOLATESLA LIBRA WH/F/83 (*)	PRF0147775



# NIKOLATESLA PRIME

DESIGN FABRIZIO CRISÀ



AUTO  
CAPTURE



ENERGY  
CLASS



TEMPERATURE  
MANAGER



STOP & GO



POT  
DETECTOR



REVOLUTION  
FILTER

## TEHNIČNI PODATKI TECHNICAL FEATURES

Velikost Size	83 x 51 x 21 cm
Izvedba Version	Odzračevalna/Obtočna izvedba Duct-out/Recycling
Videz Finish	Črno steklo + litega železa Black glass + cast iron

### INDUKCIJSKA KUHALNA PLOŠČA INDUCTION HOB

Poraba Absorption	7,4 KW
Frekvenca Frequency	50 Hz
Volt Voltage	220 - 240 V
Število območij zone number	2 (1,2 - 1,4 kW) - Ø 160 mm 2 (2,3 - 3 kW) - Ø 200 mm

### ASPIRACIJA SISTEM ASPIRATION SYSTEM

	Odzračevalna/ Duct-out	Obtočna izvedba/ Recycling
Upravljanje Controls	3 Hitrosti + 2B na dotik 3S+2B Touch control	3 Hitrosti + 2B na dotik 3S+2B Touch control
Pretok zraka Booster airflow	610 m³/h	422 m³/h
Hitrost sesanja Suction speed	5,1 m/s	5,1 m/s
Raven hrupa Noise level	61 db(A)	71 db(A)
Popolna absorpcija Total absorption	310 W	310 W
Izhod Duct size	150 mm	150 mm
Razred energetske učinkovitosti Energy class	A (A+/E)	---

Z aluminijastim mazalnim filtrom Grease aluminium Filter included  
Filter z ogljenimi vlakni vključen Charcoal fibre filter included \*

### FUNKCIJE FUNCTIONS

POWER LIMITATION (3,1 KW - 4,5 KW - 7,4 KW)

TIMER

EGG TIMER

CHILD LOCK & SAFE ACTIVATION

RESIDUAL HEAT INDICATOR

AUTOMATIC HEAT UP

SAFETY SHUT DOWN



Model ne zahteva obveznega energetskega certificiranja. (\*)  
Model not subject to compulsory energy certification.



Focus generale Nikolatesla a pag. 28  
General focus on NikolaTesla on page 28

### DODATKI ACCESSORIES

Filter z ogljenimi vlakni Charcoal fibre filter	KIT0147855
Keramike filter Ceramic filter	KIT0120952

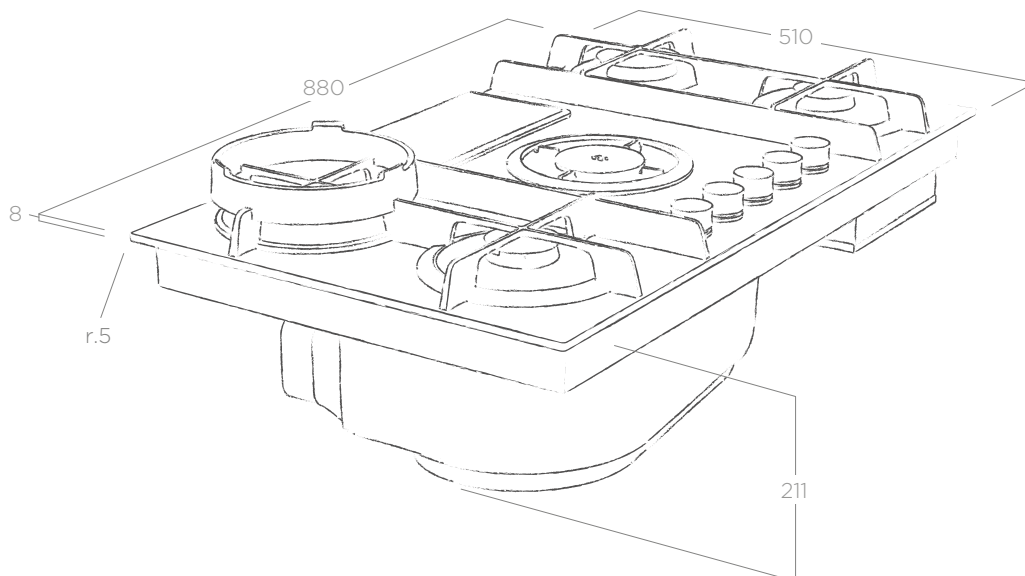
### MODELI MODELS

NIKOLATESLA PRIME BL/A/83	PRF0138475
NIKOLATESLA PRIME BL/F/83 (*)	PRF0143159



# NIKOLATESLA FLAME

DESIGN FABRIZIO CRISÀ



## TEHNIČNI PODATKI TECHNICAL FEATURES

Velikost Size	88 x 51 x 21 cm
Izvedba Version	Odzračevalna/Obtočna izvedba Duct-out/Recycling
Videz Finish	Črno steklo + litega železa, sivo steklo + litega železa Black glass + cast iron, grey glass + cast iron

### PLINSKA KUHALNA PLOŠČA GAS HOB

Poraba Absorption	10 W
Frekvenca Frequency	50 Hz
Volt Voltage	220 - 240 V
Število območij zone number	4 + 1

### ASPIRACIJA SISTEM ASPIRATION SYSTEM

	Odzračevalna/ Duct-out	Obtočna izvedba/ Recycling
Upravljanje Controls	3 Hitrosti + 2B Vrtljiv gumb 3S+2B Rotative	3 Hitrosti + 2B Vrtljiv gumb 3S+2B Rotative
Pretok zraka Booster airflow	610 m <sup>3</sup> /h	422 m <sup>3</sup> /h
Hitrost sesanja Suction speed	5,1 m/s	5,1 m/s
Raven hrupa Noise level	61 db(A)	71 db(A)
Popolna absorbcija Total absorption	310 W	310 W
Izhod Duct size	150 mm	150 mm
Razred energetske učinkovitosti Energy class	A (A+/E)	---

### VRSTA PLINSKEGA GORILNIKA BURNER TYPE

1. element 1st element	Dual special (3,5kW)
2. element 2nd element	Semi rapid (1,75 kW)
3. element 3rd element	Semi rapid (1,75 kW)
4. element 4th element	Rapid (3,0 kW)



Model ne zahteva obveznega energetskega certificiranja. (\*)  
Model not subject to compulsory energy certification.



Focus generale Nikolatesla a pag. 28  
General focus on NikolaTesla on page 28

Z aluminijastim mazalnim filtrom Grease aluminium Filter included  
Filter z ogljenimi vlakni vključen Charcoal fibre filter included \*

### DODATKI ACCESSORIES

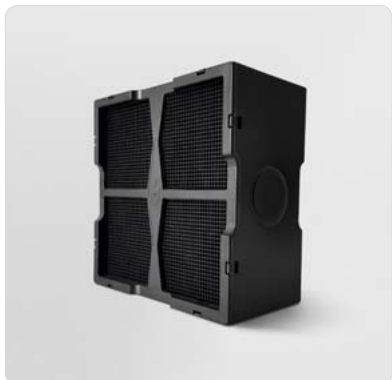
Filter z ogljenimi vlakni Charcoal fibre filter	KIT0147855
Keramike filter Ceramic filter	KIT0120952

### MODELI MODELS

NIKOLATESLA FLAME BL/F/88 (*)	PRF0147741
NIKOLATESLA FLAME BL/A/88	PRF0147740
NIKOLATESLA FLAME GR/F/88 (*)	PRF0147743
NIKOLATESLA FLAME GR/A/88	PRF0147742



## FOCUS ON NIKOLATESLA



Z odpiranjem pokrova lahko odstraniš štiri baterije iz keramičnega filtra in isprazniš predel za tekočino, kateri je edini predel ki lahko zaščiti motor v primeru uhajanja kuhalnih tekočin.

By opening the cove, you can remove the four batteries of the high performance ceramic filter (regenerable) and empty the liquid collection safety compartment, which is the only component that can protect the motor in case of leakage of cooking liquids.



Z odstranitvijo mreže lahko preprosto dosežete aluminijasti maščobni filter, kar vam omogoča lažje čiščenje.

By removing the grid, you can easily reach the aluminum grease filter thus performing easy cleaning.

Odtočni ventil zagotavlja čistočo tudi v primerih prelitja tekočin.

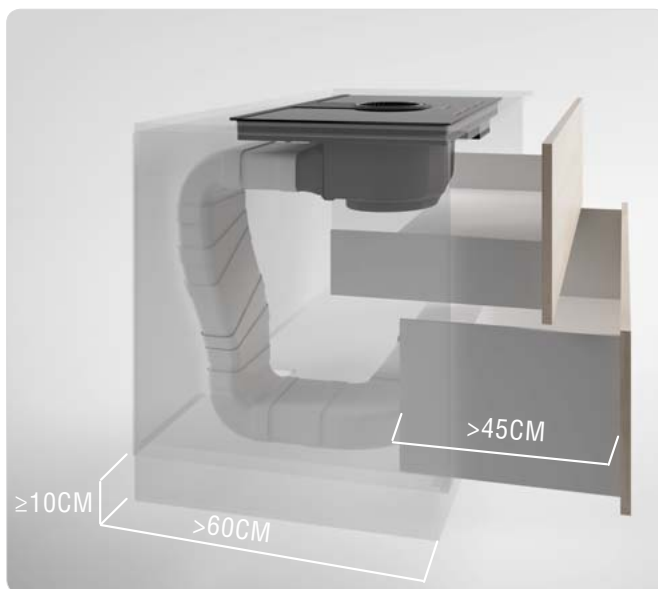
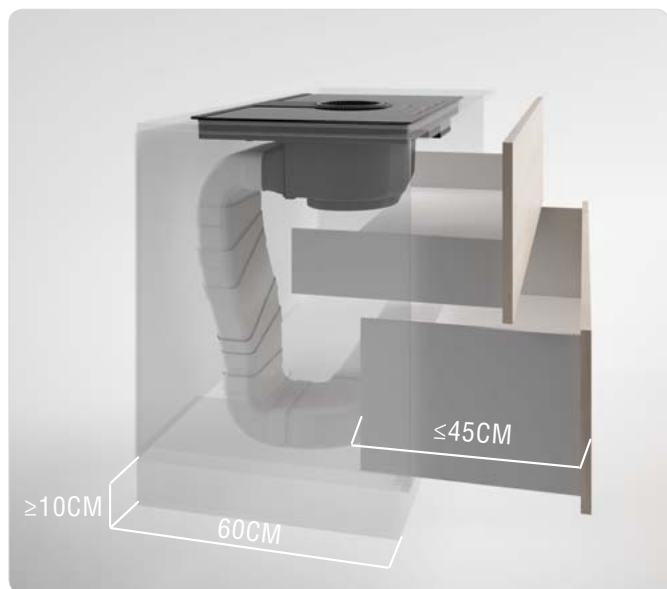
The drain valve guarantees cleanliness also in the case of abundant overflow of liquids.



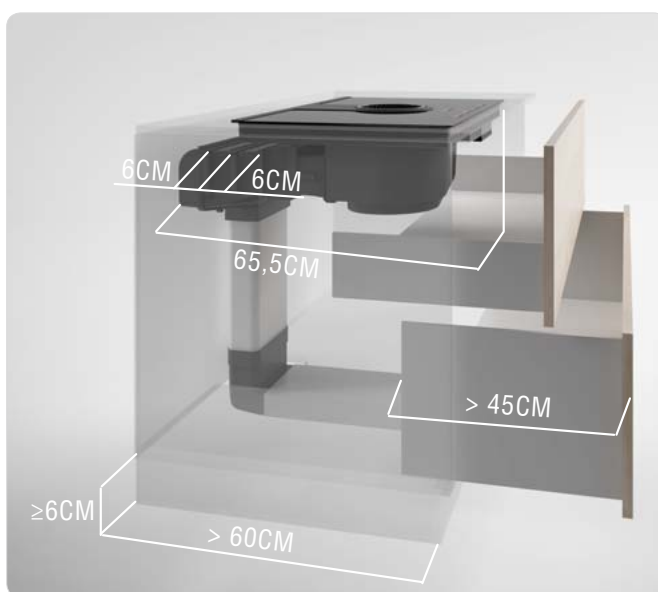
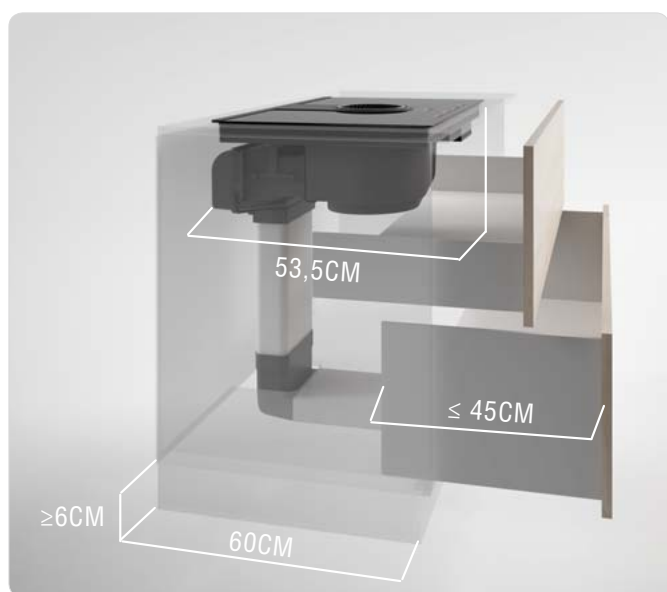
NikolaTesla je bil zasnovan tako, da zagotavlja največjo prilagodljivost namestitve, zahvaljujoč premični zadnji cevi ki je lahko nameščena zadaj, kar omogoča uporabo globjih in bolj prostornih predalov.

NikolaTesla has been conceived to guarantee maximum installation flexibility, in order to best use the cabinet internal spaces, thanks to a movable rear piping, which can be positioned close to the back, allowing for the use of deeper and more spacious drawers.

NIKOLATESLA RAZLIČICA ODZRAČEVALNA  
NikolaTesla standard Duct out modes



NIKOLATESLA RAZLIČICA RECIKLIRANJA  
NikolaTesla standard Recycling modes



## ODZRAČEVALNA DUCT-OUT INSTALLATION MODES

Kuhalni hlapi so zajeti in napeljani ven z kompaktnimi cevmi, pod pogojem da je osnovna plošča višine najmanj 100 mm.

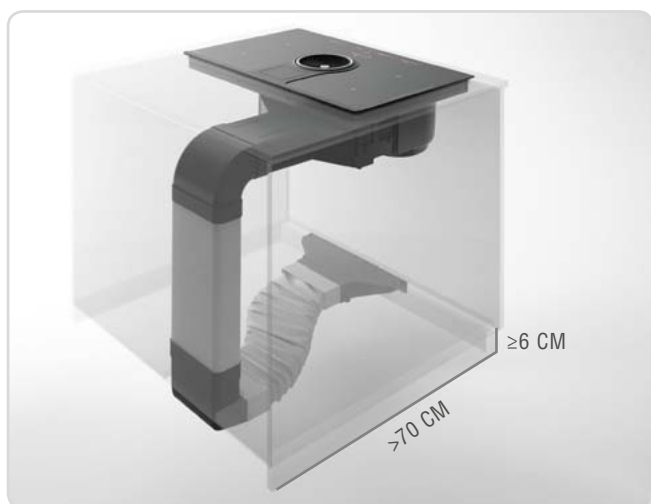
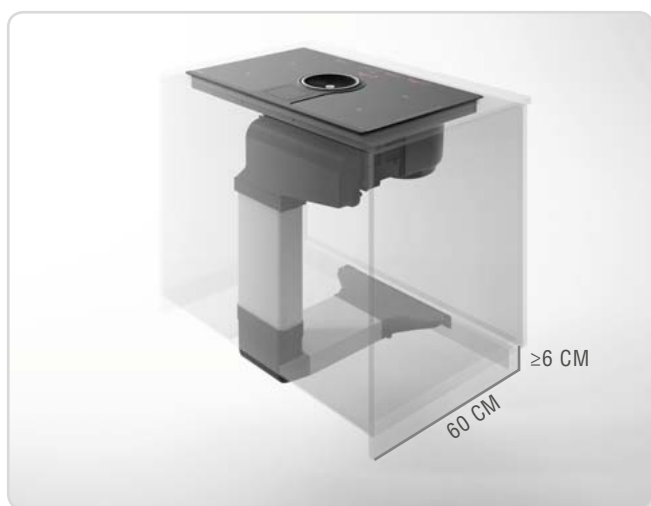
Cooking vapors are conveyed to the outside by means of compact pipes that pass into the free space found under the bases, provided that the base board height is at least 100 mm.



## OBTOČNA IZVEDBA RECYCLING INSTALLATION MODES

Zahvaljujoč posebnim sestavnim delom Elice je možna montaža tudi v kuhinjah katerih osnovna plošča je visoka 60 mm.

Thanks to the special components provided by Elica, installation is also possible in kitchens whose base board is 60 mm high.

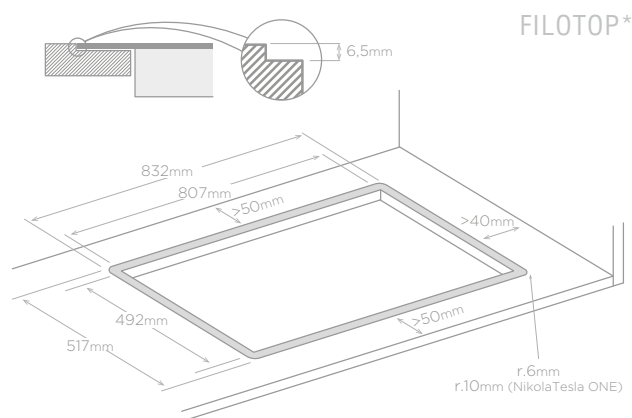
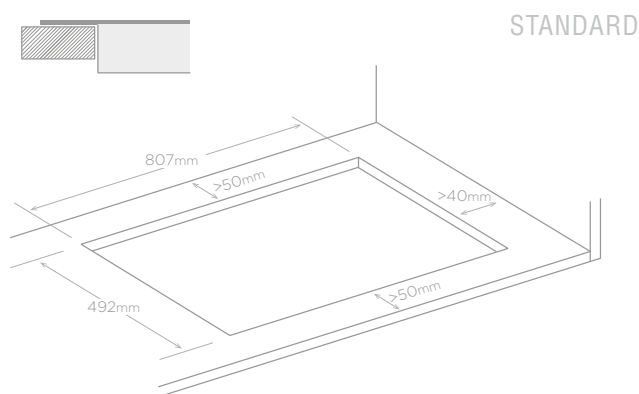


# FOCUS ON NIKOLATESLA

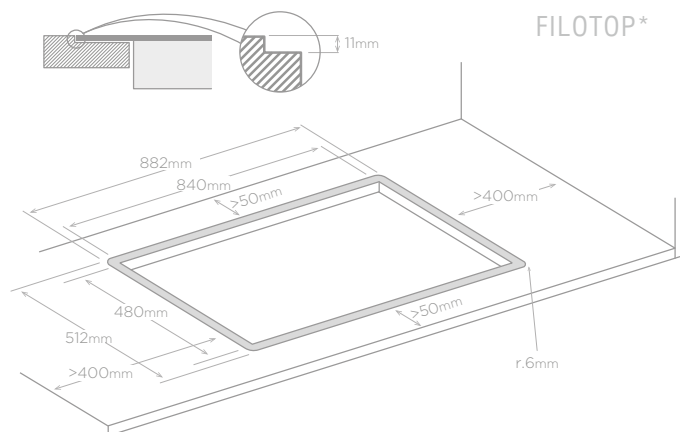
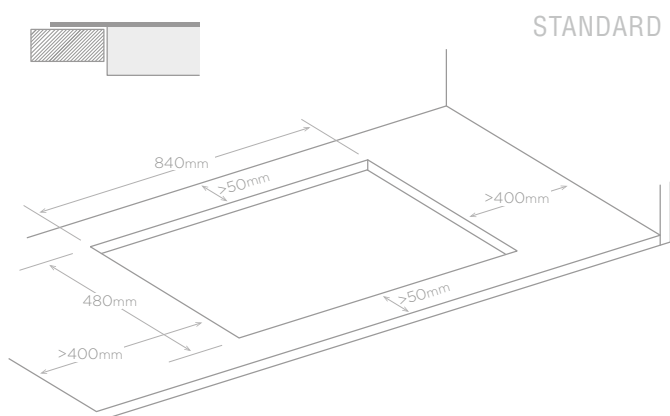
NikolaTesla je zasnovan tako, da se prilega v različne vrste kuhinj. V standardni različici filtriranja je NikolaTesla opremljen z vsako komponento ki je potrebna za vgradnjo vključno z kromiranim profilom ki zapira zračno luknjo na plošči. Različne cevi in dodatki so na voljo, da stranke izberejo najboljše rešitve, ki bi se jim prilegale v dom. Mogoče je namestiti NikolaTesla neposredno ob točilnem pultu (standard) ali vstaviti v režo 1 mm. (FILOTOP).

NikolaTesla has been designed to fit into many different types of kitchens. In the standard filtering version, NikolaTesla is equipped with every component needed for installation, including the exclusive chrome-plated profile that finishes the air outlet hole at baseboard. In the aspiration version, pipes are supplied as accessories and users can choose the best configuration solution, based on the architecture of their home. It is possible to install nikolatesla directly against the countertop (standard) or inserted in a 1 mm slot, blending in with the countertop. (Filotop).

## NIKOLATESLA LIBRA / ONE / PRIME / SWITCH / UPSIDE



## NIKOLATESLA FLAME



\* Dimenzije, priporočene za podometno montažo: zaradi različni toleranc, je treba upoštevati dejanske mere stekla.

\* Recommended filotop dimensions: for different tolerances, respect the actual dimensions of the glass.

DODATNE INFORMACIJE NAJDETE V INSTALACIJSKIH NAVODILIH ZA APARAT.

FOR FURTHER INFORMATION, CONSULT THE PRODUCT INSTALLATION MANUAL.

## V okvirju

Nikola Tesla je vključeno vse kar potrebujete (v standardni različici). Za namestitev v obeh primerih aspiracijskih kot tudi filtrirna verzija. Možne konfiguracije in sorodne komponente so vključene v embalaži in so navedene v nadaljevanju. Za vse ostale potrebe montaže so na voljo cevi in kolena kot dodatna oprema.

## IN THE BOX

Nikola Tesla includes everything it needs (in the standard version) for being installed in both aspiration and filtering version. Possible configurations, and related components included in the packaging, are mentioned below. For any other installation needs, bends and pipes are available as accessories.

NIKOLATESLA RAZLIČICA ODZRAČEVALNA  
Nikola Tesla standard Duct-out mode



NIKOLATESLA RAZLIČICA RECIKLIRANJA  
Nikola Tesla standard Recycling modes





# NAMESTITEV NIKOLATESLA NIKOLATESLA INSTALLATION ACCESSORIES



## NIKOLATESLA RAZLIČICA RECIKLIRANJA NIKOLATESLA RECYCLING MODE \*



## NIKOLATESLA RAZLIČICA ODZRAČEVALNA NIKOLATESLA DUCT OUT MODE \*



\* Vse slike so primeri vgradnje  
All images are samples installation

## ACCESSORI VERSIONE FILTRANTE RECYCLING MODE ACCESSORIES

KIT0121012



218x55x500mm

KIT0121013



218x55x1000mm

KIT0121015



218x55x70mm

KIT0121016



90° 218x55mm

KIT0121017



218x55mm

KIT0140820



Filtrirni komplet Nikola Tesla z  
globino > 70 cm  
NikolaTesla filter kit for base  
depth > 70 cm

NA RAZPOLAGO ZA Available for  
NIKOLATESLA SWITCH  
NIKOLATESLA ONE  
NIKOLATESLA UPSIDE  
NIKOLATESLA PRIME  
NIKOLATESLA FLAME  
NIKOLATESLA LIBRA



ACCESSORI VERSIONE ASPIRANTE DUCT-OUT MODE ACCESSORIES

KIT0121003



Ø158X59mm

KIT0121006



90° - Ø157

KIT0120991



222x89x1000mm

KIT0121001



227x94x80mm

KIT0121004



90° 227x288x94mm

KIT0121005



90° 227x94mm

KIT0121008



227x94 - Ø153mm

KIT0121002



15° 227x138x94

KIT0126810



227x94

KIT0121007



227x94 - Ø146mm

KIT0120996



Ø150x500mm

KIT0121000



Ø150x1000mm

KIT0121010



190x190 - Ø147mm

KIT0121009



INT 216x82mm  
EST 290x160mm





Ekskluzivni zastopnik za Slovenijo:

**PMF d.o.o.**  
Letališka cesta 3c  
1000 Ljubljana

Tel: 01 513 51 64  
Fax: 01 513 52 08  
E-pošta: [elica@pmf.si](mailto:elica@pmf.si)  
[www.pmf.si](http://www.pmf.si)

